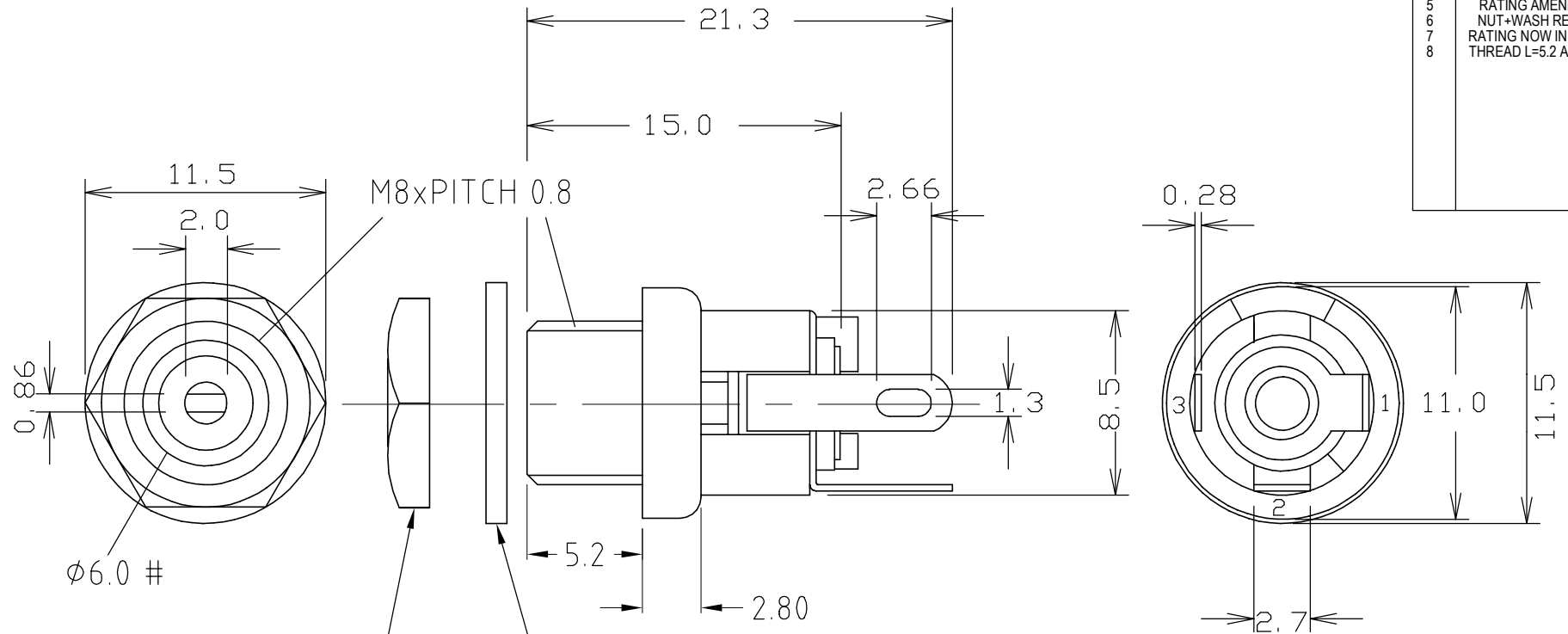




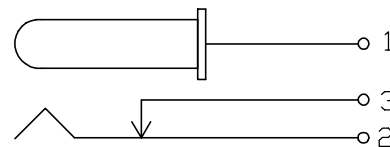
ISS.	AMEND	DATE
1	1st DRAWN	28/04/92
2	SEE #	19/07/93
3	RATING AMEND	11/08/98
4	WASH DIM DEL	28/07/00
5	RATING AMEND	30/10/06
6	NUT+WASH REF	17/03/09
7	RATING NOW IN VA	26/01/12
8	THREAD L=5.2 ADD	19/06/14



FC681445N  
NUT

FC681445W  
WASHER

SCHEMATIC



RATED: 60VA

**RoHS**  
COMPLIANT

TOLERANCE

NO DEC. PLACE  $\pm 0.50$   
 1 DEC. PLACE  $\pm 0.20$   
 2 DEC. PLACE  $\pm 0.10$   
 HOLE  $\varnothing \pm 0.10$   
 ANGLES  $\pm 1/2^\circ$   
 UNLESS OTHERWISE STATED

DIMENSIONS IN MILLIMETERS UNLESS OTHERWISE STATED. WORK TO DIMENSIONS. REMOVE ALL BURRS. IF IN DOUBT ASK.

3rd ANGLE PROJECTION:

DO NOT SCALE

MATERIAL: BRASS / PBT

TITLE: DC POWER JACK SCD-026

FINISH: Ni PLATED / Ag PLATED / AS MOULDED

DRAWN: C.A.M.J.

APPROVED: R.W.T.

DRWG. No. **FC681445**

FORM: A4DRWGH