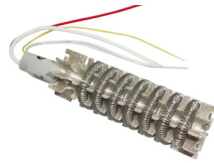


RoHS
Compliant



MP740111



MP001119



MP001120



MP001121



MP001122



MP001123

Applications

Production line, Institutes, Enterprises, Education and practice, Maintenance and hobby.

Features

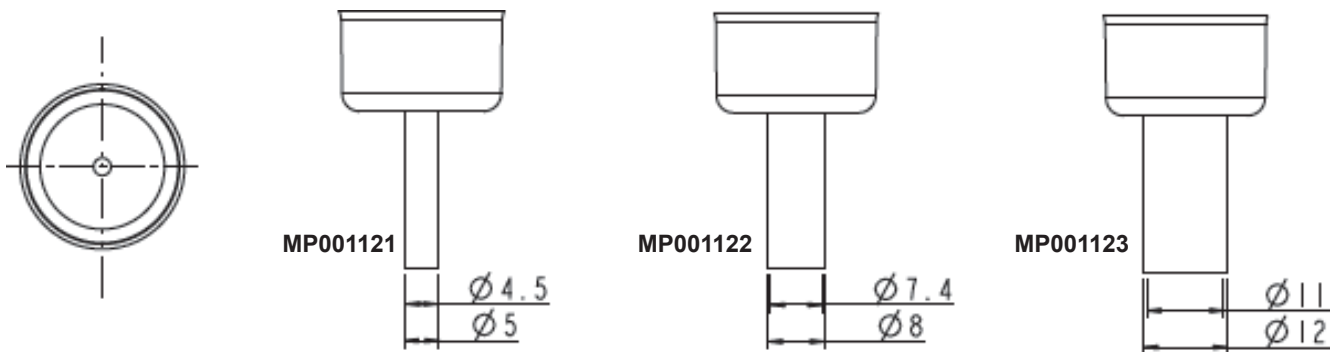
- Closed-loop and MCU zero crossing design for achieving fast.
- LED screen used to display working temperatures and working states make operations easy.
- Embedded sensor inside iron hand piece to obtain auto-sleep to save energy.
- Intelligence cooling system and deferred power-off function to extend hot air gun lifespan.
- Compact unit to save workbench space and eye-pleasing appearance.
- Intelligent malfunction detection and indications.
- Conserve a series frequently-used temperature & air flux. Digital control for air flow grades (A25-A99).
- Make normal temperature wind to cool the components.

Specification

Supply Voltage	: 100V AC to 120V AC, 220V AC to 240V AC 50/60Hz
Power consumption	: 700W
Temperature range	: 100°C to 500°C
Display mode	: LED display
Pump	: Fan type pump
Air flow grades	: A25-A99
Air flow gradation	: 120L/min MAX
Noise	: <52dB(A)
Working Temperature	: 0°C to 40°C

Kit Content

Main Unit, Hot Air Gun, Gun Holder, AC Power cord, 3 Nozzles and Manual.



Part Number Table

Description	Part Number
Hot Air Station, 100°C to 500°C, 700W, EU/UK	MP740111
Replacement Spiral Heating Element	MP001119
Spare Handle	MP001120
Hot Air Nozzle, 4.5mm Inner Diameter	MP001121
Hot Air Nozzle, 7.4mm Inner Diameter	MP001122
Hot Air Nozzle, 11mm Inner Diameter	MP001123

Important Notice : This data sheet and its contents (the "Information") belong to the members of the AVNET group of companies (the "Group") or are licensed to it. No licence is granted for the use of it other than for information purposes in connection with the products to which it relates. No licence of any intellectual property rights is granted. The Information is subject to change without notice and replaces all data sheets previously supplied. The Information supplied is believed to be accurate but the Group assumes no responsibility for its accuracy or completeness, any error in or omission from it or for any use made of it. Users of this data sheet should check for themselves the Information and the suitability of the products for their purpose and not make any assumptions based on information included or omitted. Liability for loss or damage resulting from any reliance on the Information or use of it (including liability resulting from negligence or where the Group was aware of the possibility of such loss or damage arising) is excluded. This will not operate to limit or restrict the Group's liability for death or personal injury resulting from its negligence. Multicomp Pro is the registered trademark of Premier Farnell Limited 2019.