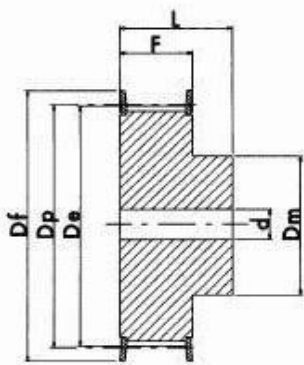
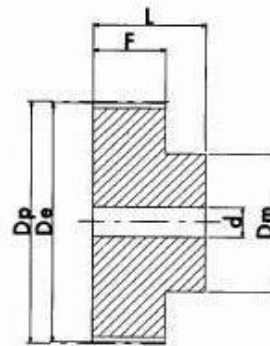


Synchroflex Timing Pulleys T5

for 16mm wide belt
Centre drilled or Pilot Bore
in Aluminium with Zinc plated Steel Flanges



EXECUTION 1F



EXECUTION 2

Dimensions

Please note : All dimensions subject to change.
Pulleys may be Bored or Unbored.

If a dimension is critical to your application please contact our sales department for confirmation.
for special pulleys or reworked pulleys

Code	Type	No. Teeth	Dp	De	Df	Dm	F	L	Pilot Bore	No. Flanges
2865736	1F	10	15.92	15.05	20	8	21	27	-	2
2865742	1F	12	19.10	18.25	23	12	21	27	-	2
2865758	1F	14	22.28	21.45	26	14	21	27	-	2
2865770	1F	19	30.24	29.40	34	22	21	27	6	2
2865764	1F	16	25.46	24.60	30	18	21	27	6	2
2865786	1F	24	38.20	37.35	42	26	21	27	6	2
2865809	1F	27	42.97	42.15	47	30	21	27	8	2
2865815	1F	32	50.93	50.10	55	38	21	27	8	2
2865821	1F	36	57.30	56.45	61	38	21	27	8	2