

## FEATURES

- Rated currents up to 10A
- 2-pole rocker switch
- Single or dual-fuse holder
- Compact design with optimal shielding

## RS PRO Power Line Filters

RS Stock No.: 2378671, 2378672



RS Professionally Approved Products bring to you professional quality parts across all product categories. Our product range has been tested by engineers and provides a comparable quality to the leading brands without paying a premium price.

### Product Description

- *Portable electrical and electronic equipment*
- *Single-phase power supply , switch-mode power supply*
- *Medical equipment*
- *Small and medium-sized machines and household equipment etc*

### General Specifications

The products have high attenuation, based on chokes with high saturation. Resistance and excellent thermal behavior. (R5) types comply with the requirements of IEC/EN60601-1 for safety clearance, leakage current and hipot testing. There are a variety of parts and combinations to meet different customer's EMC tests. Customized products according to customer's requirements.

### Mechanical Specifications

size	62X61X29.5mm (L X W X H)
weight	0.091kgs

### Electrical Specifications

Rated Voltage Max.	250VAC,50/60Hz
Operating frequency	DC to 400Hz
Rated currents	6A@40°C
Hipot Rating	L-N 1450VDC, L/N-G 2000VAC/2250VDC

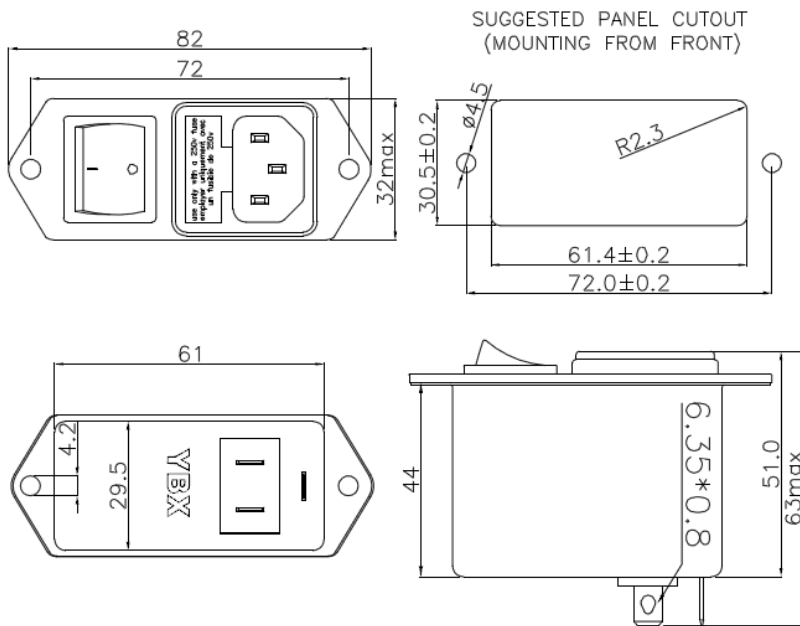
### Protection Category

**according to IEC 60529 IP40**

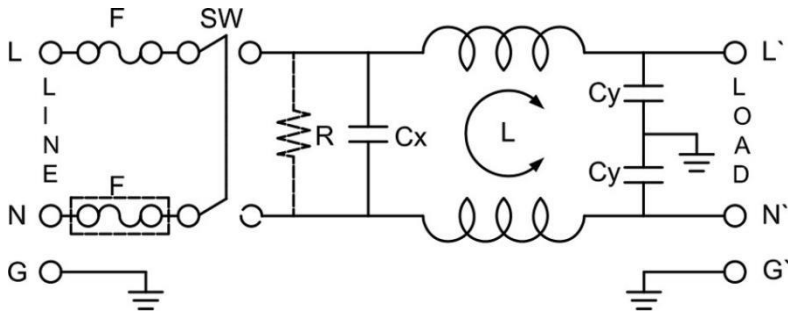
**Approvals**

Declarations	CUL;TUV;CQC;CE
Standards Met	UL1283, CSA C22.2 No.8; IEC/EN 60939; CQC GB 15288/GB 15287-2008

**Physical Dimensions:**

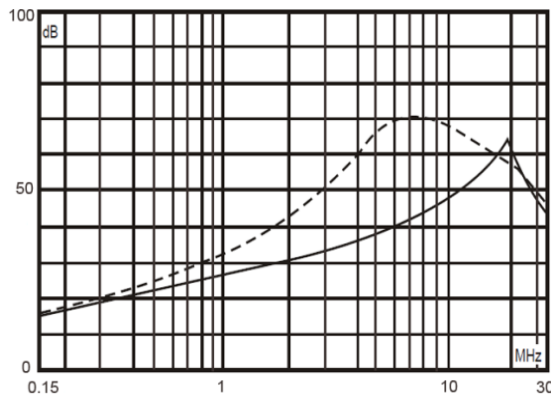


## Electrical Schematic:



## Insertion loss table(In 50ohm system according IEC/CISPR No.17)

———— Common mode      - - - - - Differential mode  
6A



## packaging

