

Datasheet

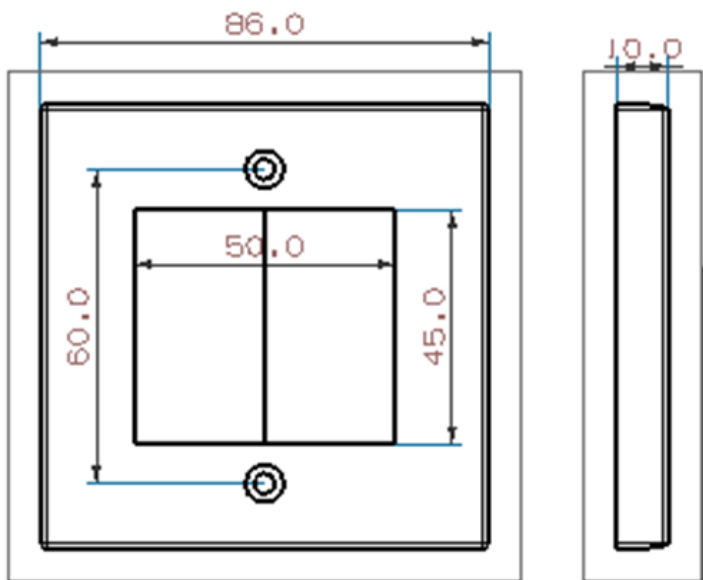
Brush Plates



- Option for single or double gang
- Fits onto back box or can be screwed directly to the wall
- Ideal for passing cables through a wall
- Tidy and professional finish for roughly cut holes

RS offers a range of brush plates designed to be fitted to standard width UK electrical back boxes or screwed directly to the wall and are a good substitute for expensive custom wall plates when running your AV cables through the wall. The brush cable entry / exit area is covered by high quality white brushes. The brush wall plates will fit standard sizes of UK electrical back box and screws are included. The brush plate apertures for both single gang and double gang brush plates are large enough to allow many cables to pass through. The apertures are 45mm x 50mm for the single gang sizes and 100 x 50mm for the double gang sizes.

Single Gang



Double Gang

