

FEATURES

- **Quick connection and disconnection**
- **Lighter and more compact**
- **Specific configurations to satisfy the advanced robotics**
- **Silicon free**
- **Operating temperature range is from -20 °C to 80 °C**

RS PRO Pneumatic Quick Connect Couplings

RS Stock No.: 2312675



RS PROfessionally Approved Products bring to you professional quality parts across all product categories. Our product range has been tested by engineers and provides a comparable quality to the leading brands without paying a premium price.

Product Description

The RS PRO orienting elbow male adaptor (parallel) works in -99 to 20 bar pressure range. It mainly used in robotics, automotive, textile, packaging, handling, compressed air circuit applications. It is lighter and more compact which offers to demanding customers high performances. Operating temperature range is from - 20 °C to + 80 °C. RoHS and REACH compliant.

General Specifications

Material	Nickel Plated Brass
Applications	Lubrication System, Cooling System, Pneumatic Machinery Equipment

Mechanical Specifications

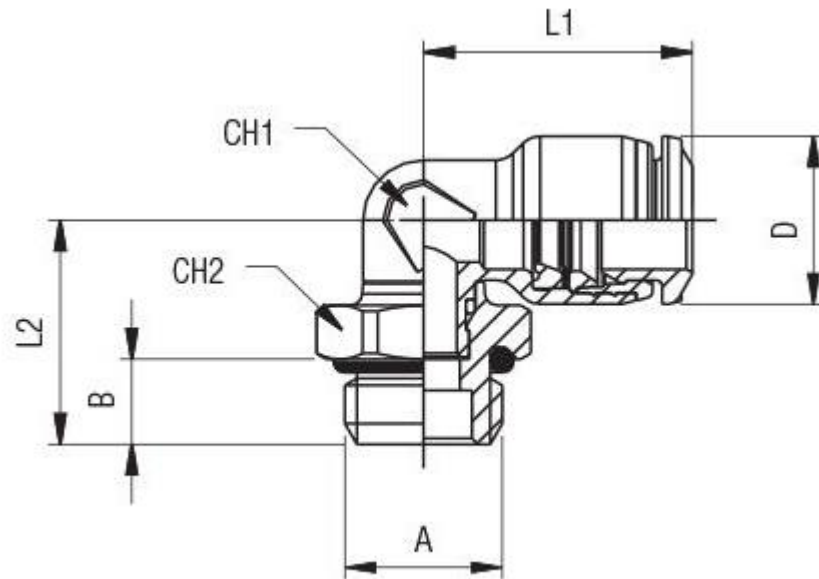
Connection Type	Threaded, Tube
Hose Barb Connection	20mm
Tube Connection Size	12mm
Coupling Gender	Male
Threaded Connection	1/2 BSP Male
Thread Size	1/2in
Wrench Size1	16
Wrench Size2	25
Length L1	30mm
Length L2	25.1mm

Operation Environment Specifications

Minimum Operating Temperature	-20°C
Maximum Operating Temperature	80°C

Similar Products

Parameters	2312676	1761817
Brand	RS PRO	RS PRO
Connection Type	Threaded, Tube	Threaded, Tube
Hose Barb Connection	14mm	21
Coupling Gender	Male	Male
Tube Connection Size	8mm	14mm
Wrench Size1	10	18
Wrench Size2	16	20
Length L1	22.5mm	31mm
Length L2	19mm	28.1mm



Tube	A	B	L1	L2	CH1	CH2	D	Pack.
12	1/2	9.6	30	25.1	16	25	20	10