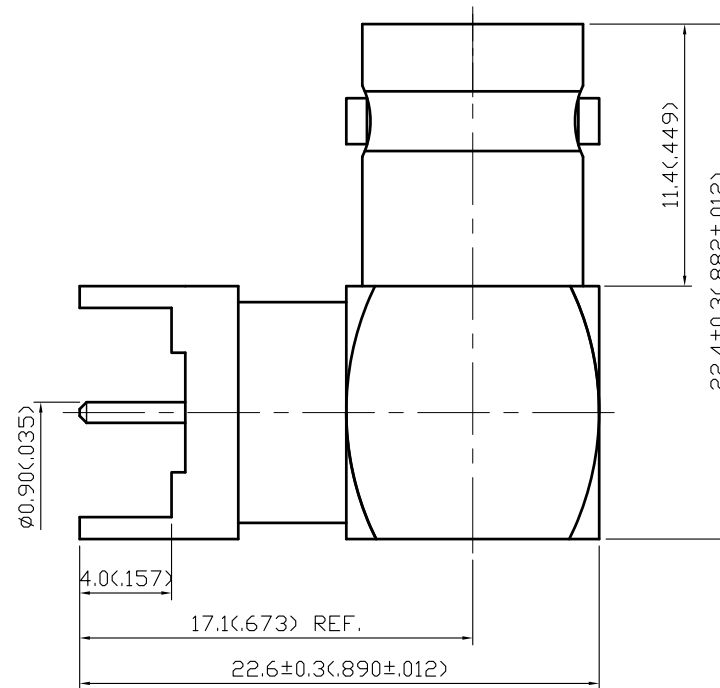
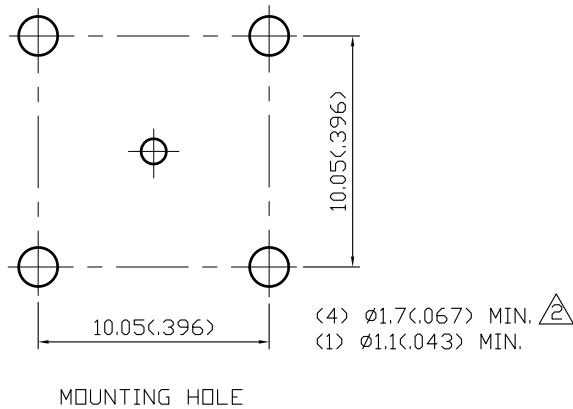


NO	DESCRIPTION	DATE
△1	BACKGROUND FORMAT UPDATED	03.22.04
△2	BACKGROUND FORMAT UPDATED ø1.5<.059> MIN. → ø1.7<.067> MIN.	11.25.08'



1.0 ELECTRICAL

- 1.1 FREQUENCY RANGE: DC-1 GHz
- 1.2 NOMINAL IMPEDANCE: 75 OHMS
- 1.3 WORKING VOLTAGE: 500 VOLTS MAX.
- 1.4 PROOF VOLTAGE: 1500 VOLTS

2.0 MATERIALS

- 2.1 BODIES: BRASS PER JIS-C3604
- 2.2 CENTER CONTACT: BRASS PER JIS-C3604
- 2.3 INSULATION: TEFLON PER ASTM D1457 AND ASTM D1710

3.0 FINISHES AND OTHERS

- 3.1 SEE BELOW TABLE FOR DETAILS.

4.0 ENVIRONMENTAL

- 4.1 OPERATING TEMPERATURE RANGE: -65° C TO +165° C

7	CAP	BRASS	1	NICKEL
6	BODY II	BRASS	1	NICKEL 100μ" MIN.
5	INSULATION	TEFLON	1	NONE
4	CENTER CONTACT II	BRASS	1	GOLD
3	BODY I	BRASS	1	NICKEL 100μ" MIN.
2	CENTER CONTACT I	BRASS	1	GOLD
1	INSULATION	TEFLON	1	NONE
NO	DESCRIPTION	MATERIAL	Q'TY	FINISH

APPROVED

by _____ DATE: _____



DESCRIPTION		BNC RIGHT ANGLE PCB MOUNT JACK RECEPTACLE						
製圖	DRAWN	TOLERANCE	品名	13-53 T.G.N	日期	DATE	版次	REV.
	Yoko							
檢圖	CHECK	單位	單	UNIT	DWG.NO.	13-0430	佳楠精密電子股份有限公司	
	Lewis							
認定	APPROVAL	ANGLE	比例	SCALE	CHIN NAN PRECISION ELECTRONICS CO.,LTD.			
	Lewis							