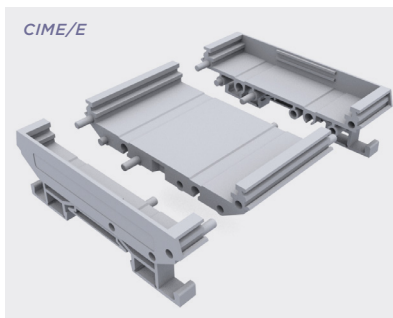


002
PCB TERMINAL
BLOCKS081
TERMINAL STRIPS095
WIRE TO BOARD
CONNECTORS100
CIRCULAR
CONNECTORS151
IP68 CONNECTORS158
INTERFACE
MODULES AND
RELAY BASES

Euro series 107mm empty modular interface support

Product overview

- Suitable for 107mm width PCB's
- Modular construction for easy assembly
- Snap fit DIN Rail mounting fixtures
- Moulded in grey UL 94-V0 flame retardant PA6
- Terminal blocks available in same colour
- Integral marker facility
- Integral DIN Rail mounting clip



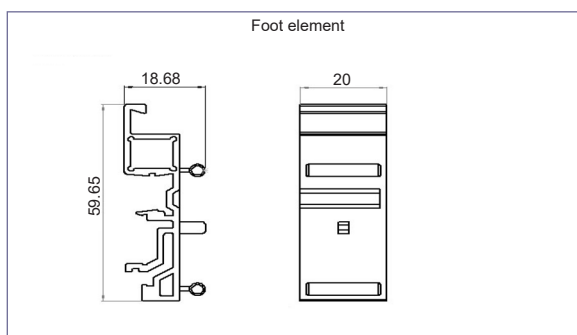
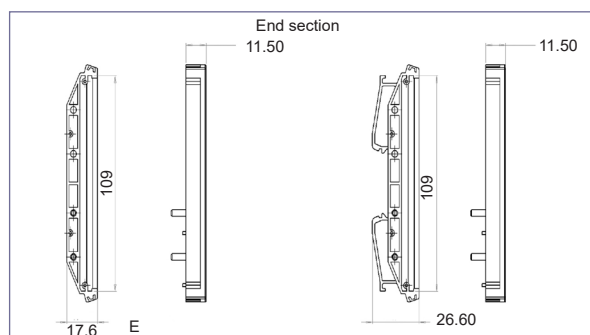
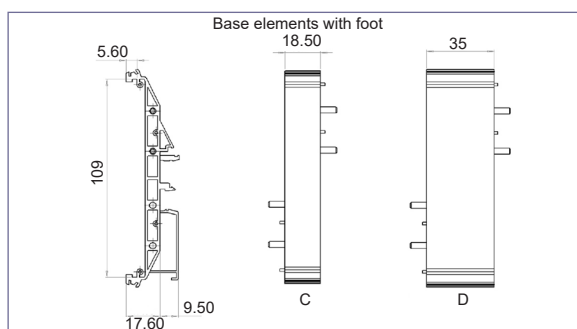
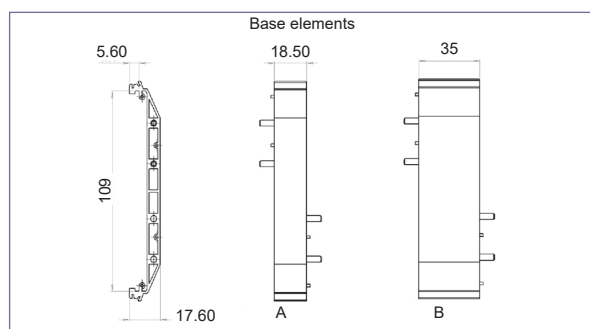
Wall mount plates

- Flush and raised surface mounting plates
- Press into sides of end section without tool
- Use foot element on long lengths with raised plates

| PART NO. | DESCRIPTION | WIDTH |
|-----------------|------------------------|--------|
| CIME/E/BE1850S | Base element | 18.5mm |
| CIME/E/BE3500S | Base element | 35mm |
| CIME/E/BEF1850S | Base element with foot | 18.5mm |
| CIME/E/BEF3500S | Base element with foot | 35mm |
| CIME/E/SE1000S | End section | 11.5mm |
| CIME/E/SEF1000S | End section with foot | 11.5mm |

| PART NO. | DESCRIPTION |
|------------|-------------|
| CIME/E/MPF | Flush |
| CIME/E/MPR | Raised |

| CIME/E/ TOTAL PCB LENGTH | END SECTION SE1000S 11.5MM | BASE ELEMENTS BE1850S 18.5MM | BE1850S 35MM | PART COUNT |
|--------------------------------|----------------------------------|------------------------------------|-----------------|------------|
| 20mm | 2 | | | 2 |
| 38.5mm | 2 | 1 | | 3 |
| 55mm | 2 | | 1 | 3 |
| 73.5mm | 2 | 1 | 1 | 4 |
| 90mm | 2 | | 2 | 4 |
| 108.5mm | 2 | 1 | 2 | 5 |
| 125mm | 2 | | 3 | 5 |
| 143.5mm | 2 | 1 | 3 | 6 |
| 160mm | 2 | | 4 | 6 |
| 178.5mm | 2 | 1 | 4 | 7 |
| 195mm | 2 | | 5 | 7 |
| 213.5mm | 2 | 1 | 5 | 8 |
| 230mm | 2 | | 6 | 8 |
| 248.5mm | 2 | 1 | 6 | 9 |
| 265mm | 2 | | 7 | 9 |



CONNECT

163

+44 (0)1638 716101 | sales@camdenboss.com | www.camdenboss.com

We operate a constant improvement policy, our products are subject to change without notice.

Vers 1



FM 28614