

FEATURES

- Nylon Polyamide 6
- Zinc plated steel studs and alloy female threads
- Matte black finish
- Working temperature range of -30°C to +85°C
- Melting point of +215°C
- Tolerant of weak acids, with excellent resistance to chlorinated hydrocarbons

RS PRO Black Multiple Lobes Clamping Knob, M6

RS Stock No.: 686-109



RS Professionally Approved Products bring to you professional quality parts across all product categories. Our product range has been tested by engineers and provides a comparable quality to the leading brands without paying a premium price.

Product Description

Knobs are used in a wide variety of applications in our day-to-day lives and perform many functions, from being used as fixed handles to being used to tighten, loosen, adjust and push other components or pieces of equipment. They are used in various applications, from industrial and construction machinery to audio and visual equipment.

Male knobs: M6 (RS [686092](#)), M6 (RS [686109](#)), M8 (RS [686115](#)), M8 (RS [686121](#)), M10 (RS [686137](#)), M10 (RS [686143](#)).

Female knobs: M5 (RS [686159](#)), M6 (RS [686165](#)), M8 (RS [686171](#)), M10 (RS [686187](#)).

Through threads: M6 (RS [686193](#))

General Specifications

Thread	M6
Knob Shape	Multiple Lobes
Mounting Type	Threaded Stud
Body Material	Phenolic
Insert Material	Steel
Colour	Black
Application	Access doors, Drawers & panels (domestic and industrial), Clamps and fixtures, Machinery

Mechanical Specifications

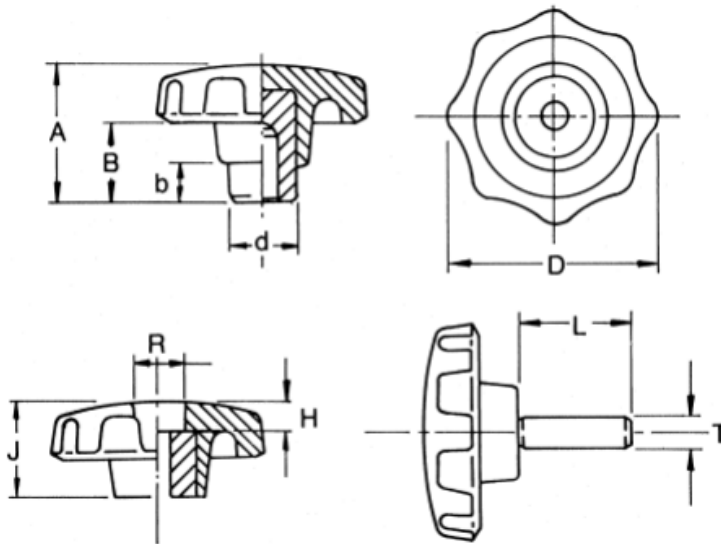
Thread Diameter	6mm
Thread Length	30mm
Knob Diameter	32mm
Hole Diameter	12mm
Hole Length	17mm

Approvals

Compliance/Certifications	EN61340, BS771
----------------------------------	----------------



Dimensions:



Dimensions (mm)					
T x L	Type/Insert	D	A	d1	B
M6 x 15	Male/Steel	32	27	12	17
M6 x 30	Male/Steel	32	27	12	17
M8 x 20	Male/Steel	44	29	14	16
M8 x 30	Male/Steel	44	29	14	16
M10 x 20	Male/Steel	57	38	19	22
M10 x 30	Male/Steel	57	38	19	22
M5 x 7.5	Female/Brass	32	27	12	17
M6 x 9	Female/Brass	32	27	12	17
M8 x 12	Female/Brass	44	29	14	16
M10 x 15	Female/Brass	44	29	14	16
M6 x 9	Through/Brass	32	27	12	17