

Leveling Castor – RS 6114408



ISO view



Side view

Bracket

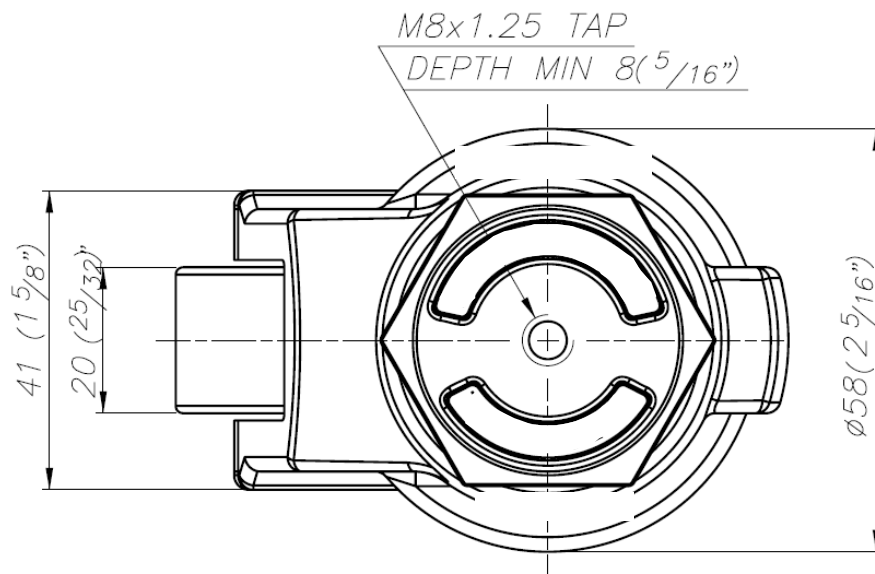
- ▶ Forged steel plate with khaki powder coating
- ▶ Aluminum die-casting bracket with bi-level balls in the swivel head
- ▶ High quality ABS resin handle, two side access to level
- ▶ NBR resin cushion to stand, anti-vibration function
- ▶ Ivory texture powder coating and zinc-galvanized

Wheels

- ▶ High quality nylon
- ▶ High abrasion resistance, shock and impact-resistant, corrosion-resistant, high chemical resistance to alcohol, salts and certain acids, black color
- ▶ No bearing

Technical Data

Wheel Diameter	42 mm
Width of Tread	20 mm
Hardness of Tread	70 Shore D
Center Bolt	M8 x 1.25P
Bolt Length	10 mm
Leveling Extent	10 mm
Offset	30 mm
Overall Height	71 mm
Temperature	-10 ~ +90 °C
Load Capacity / 1pcs	50 kg
Load Capacity / 4pcs	100 kg



ENGLISH

