



Datasheet

RS PRO Accessories for DIN rail

Stock number: 2069082

EN



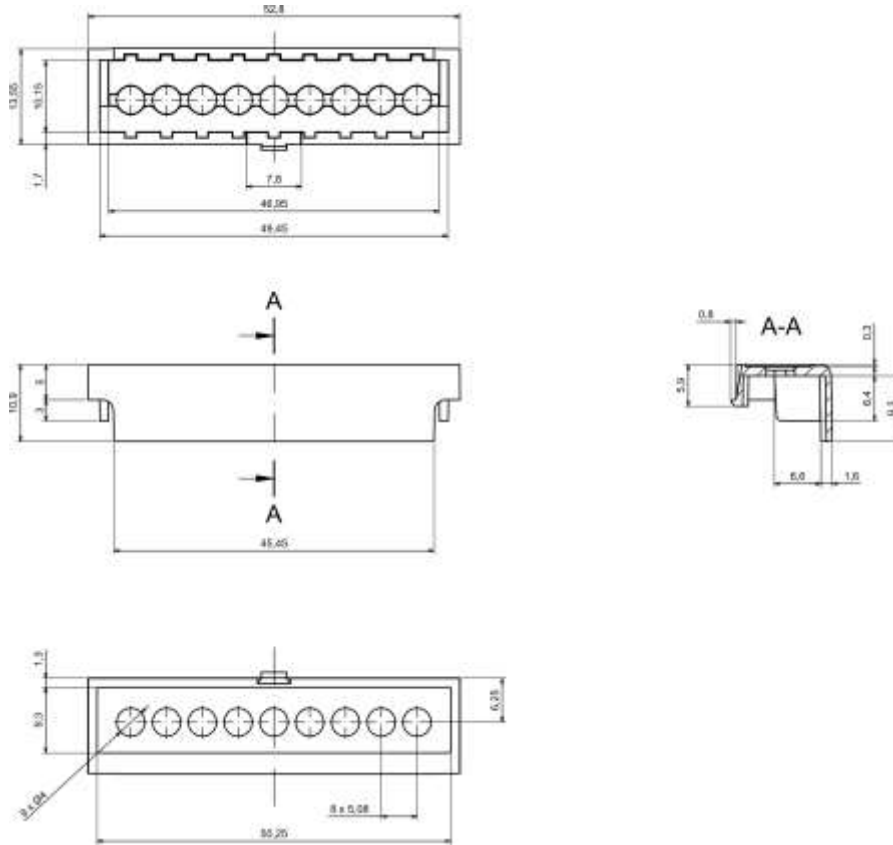
Product Details

Three module slot mask with holes for end plugs ZDPLUG 5,08. Recommended in situations where some connections in the connector are used. Plugs allow multiple reconfiguration of holes, eliminating the need for additional tools and giving an aesthetic appearance. Slot mask designed for ZD1006, ZD1009 enclosures.

Features and Benefits

- Terminal cover customizable with PLUG 5.08.
- Allows multiple reconfiguration of holes

rspro.com



Category	Accessories
Material	ABS V0
Height	10.9 mm
Width	13.6 mm
Length	52.8 mm
Color	Lightgray (J)
Standards Met	RoHS Compliant
Certificate number	

CE