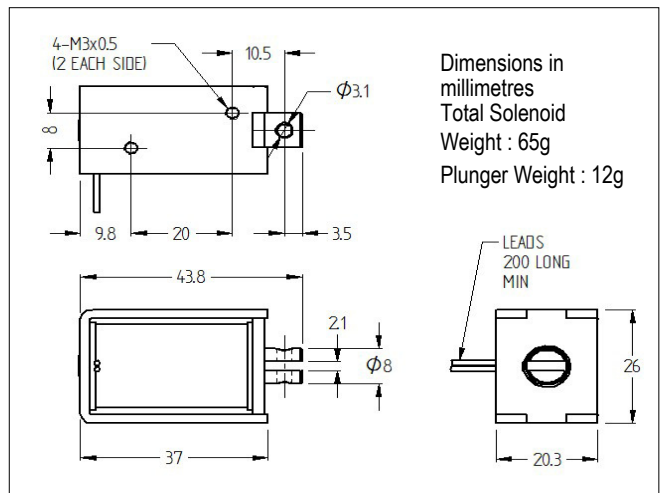


Datasheet

RS Article: 177 - 0116

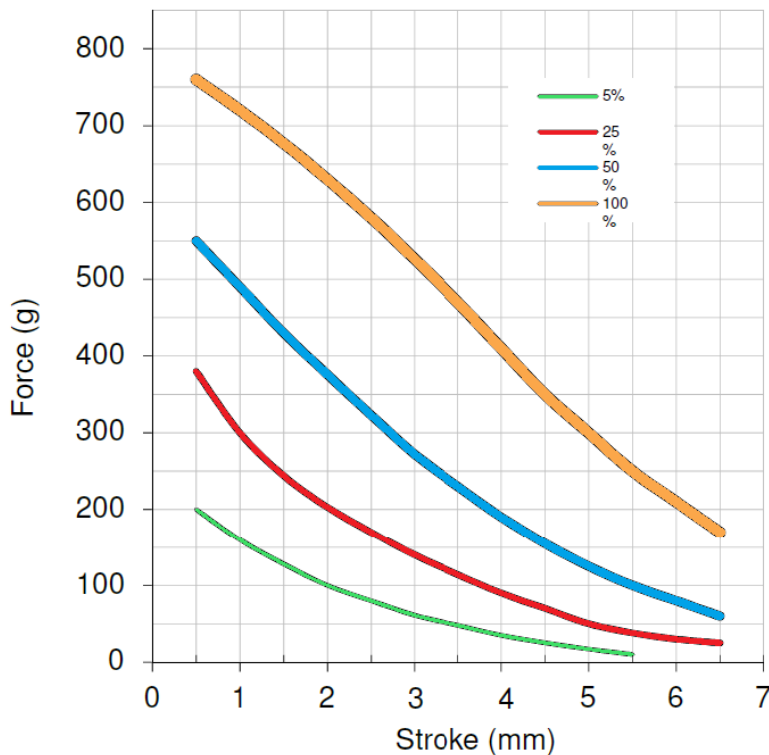
DC – D Frame Solenoid 12V



Specifications:

Features:

Stroke and Force



- Pull type
- Flying leads
- Corrosion resistant plated parts