

## FEATURES

- Digital caliper and micrometer measuring set
- Made of stainless steel
- Maximum caliper measurement of 150mm/6"
- Maximum micrometer measurement of 25mm


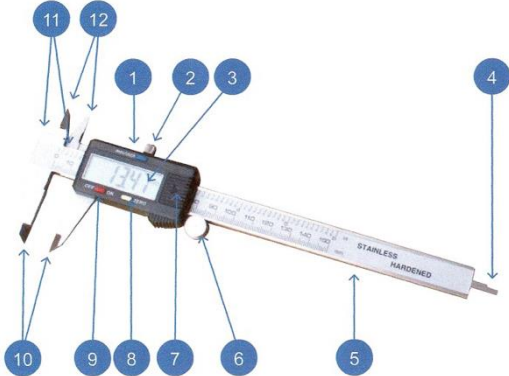
## RS PRO Digital Measuring Set

RS Stock No.: 2436623, 2436846, 2436847,  
2436848, 2436850, 2436851



RS Professionally Approved Products bring to you professional quality parts across all product categories. Our product range has been tested by engineers and provides a comparable quality to the leading brands without paying a premium price.

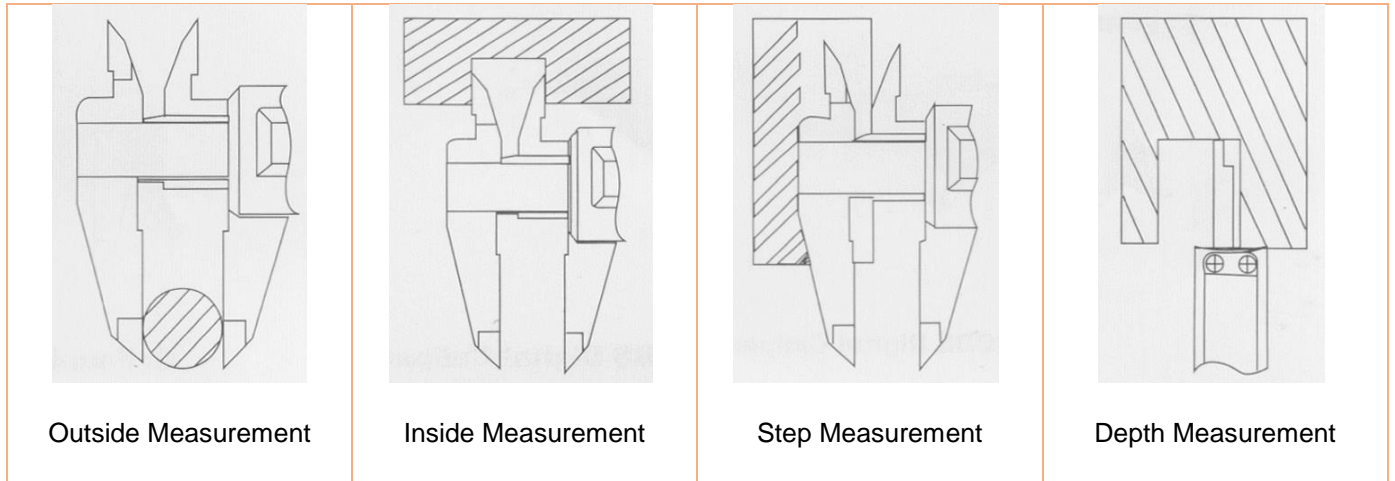
### Product Description

 <p>Metric / Inch model</p>	<p>Hardened stainless steel frame and measuring jaws          Thumbroll adjustment          Knurled locking screw          Depth rod          Clear LCD Display          Large 11mm digits          Inch/Metric conversion          Origin setting          Resolution: 0.01mm / 0.0005"          Repeatability: 0.01mm / 0.0005"          4 Way measurement:          Individual serial numbers          Power: 1 x Silver oxide battery SR44 - 1.55v          Operating temperature: 5 - 40°C          Relative humidity: Maximum 80%          Warranty: 1 year</p>
	<p>1 Metric / Inch Conversion Button          2 Knurled Locking Screw          3 LCD Display          4 Depth Measuring Blade          5 Caliper Beam          6 Thumbroll Fine Adjustment          7 Battery Cover          8 Zero Set Button          9 Power Button ON/OFF          10 External Measuring Jaws          11 Step Measuring Faces          12 Internal Measuring Jaws</p>
<p><b>Manufacturers code</b></p>	<p>2436623</p>
<p><b>Description</b></p>	<p>Electronic Caliper 0-150mm/0-6"</p>

### General Specifications

<b>Range</b>	150mm/6"
<b>Resolution</b>	0.01mm/0.0005"
<b>Repeatability</b>	0.01mm/0.0005"
<b>Accuracy</b>	±0.02mm (≤ 100mm) ±0.03mm (≥ 100mm – 150mm)
<b>External Jaw Length</b>	40mm
<b>Internal Jaw Length</b>	18mm

### 4 Way Measurement Feature



### OPERATING INSTRUCTIONS

When using the Caliper for the first time or after a period of non-use, wipe the beam scale with a dry clean cloth to remove any condensation or oil deposits.

Prior to setting the caliper for measuring, first clean the measuring faces with a soft clean cloth or paper.

Switch Caliper ON

Move Caliper jaws together.

Select required measuring mode Inch / Metric.

Zero display, caliper is now ready for direct measurement.

Caliper can be zeroed at any position within its range, to provide relative measurements.

Caliper provides 4 way measurements, External, Internal, Step and Depth.

	<ul style="list-style-type: none"> <li>Splash / Dust Resistant</li> <li>Large easy to read LCD display.</li> <li>True inch/metric conversion.</li> <li>Tungsten Carbide anvil faces</li> <li>Friction style thimble and Spindle lock lever.</li> <li>Heat/Splash guard fitted to frame.</li> <li>Measuring force 5 – 10N.</li> <li>Maximum Measuring Speed 80mm / sec.</li> <li>Operating temperature 0 - 40°C</li> <li>Storage temperature -20 to 60°C</li> <li>Powered by single Lithium CR2032 3v battery</li> <li>Micrometer automatically switches off after 4 minutes of non-use</li> </ul>
<p><b>Manufacturers code</b></p>	
<p><b>Description</b></p>	<p>Electronic Splash/Dust Proof Micrometer 0 – 25mm</p>

### General Specifications

<b>Resolution</b>	0.001mm/0.00005"
<b>Repeatability</b>	0.001mm
<b>Accuracy</b>	0.004mm/±0.002mm

### OPERATING CARE

Clean measuring faces with dry soft cloth  
 Keep away from strong magnetic fields  
 Prevent ingress of oil / liquids into electronics  
 Remove battery if instrument is not used for a long period of time  
 Do not disassemble or drop the instrument

**Do not mark instrument by engraving, etching or any other permanent marking method, as this will invalidate the warranty**

### FAULT FINDING

Fault	Cause	Action
Display flashes	Battery voltage below 1.45volts	Replace battery
Display frozen	Circuit overload	Remove battery and replace after 4 minutes
Accuracy below specification but within +/- 0.1mm	Dirt in sensor	Remove slider cover assembly, clean face of sensor with dry clean compressed air (5kg/cm <sup>2</sup> )
No display	Poor battery contact Dead battery	Remove battery and carefully adjust battery contacts, replace battery. Replace battery.