

## Features

- Aluminium material
- Stainless steel clamping screws
- Easily adjustable
- Durable

## RS PRO M8 Sensor Connecting Clamp

RS Stock No.: 786-6062



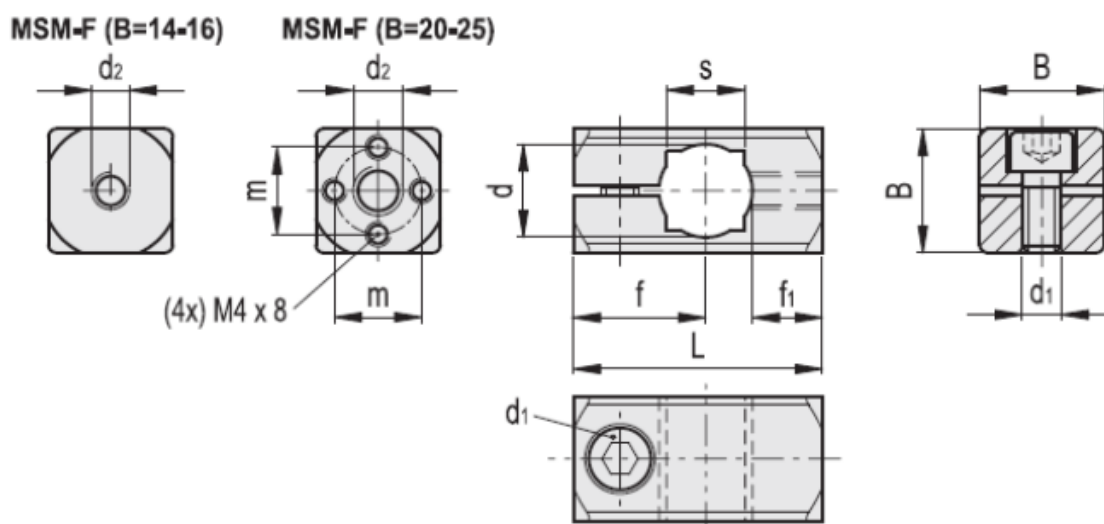
RS PRO Professionally Approved Products bring to you professional quality parts across all product categories. Our product range has been tested by engineers and provides a comparable quality to the leading brands without paying a premium price.

## Product Description

The RS PRO M8 Sensor Connecting Clamp is easily adjustable and robust. Suitable for mounting sensors onto your structural systems. Available in a range of sizes to meet your installation needs.

## General Specifications

Thread Size	M8
Fits Tube Diameter	12 mm
Material	Aluminium
Fits Square Tube Profile	10 mm



Main Dimensions								
d	d2	L	B	d1	f	f1	m	s
12	M8	32	16	M5	17	9	-	10