

# Din Rail Mounted Modular Contactor

## 2 and 4 Pole Modular Contactor (1, 2 and 3 Module)

**multicomp** PRO



### 2 Pole Modular Contactor (1 Module)

Part Number
MCEUC1-20-2P
MCEUC1-20-2NC
MCEUC1-20-2NOB
MCEUC1-20-2NCB
MCEUC1-20-NONCP
MCEUC1-25-2P
MCEUC1-25-2NCP

### 4 Pole Modular Contactor (2 Module)

Part Number
MCEUC2-25-4P
MCEUC2-25-4NCP
MCEUC2-25-2NO2NCP

### 4 Pole Modular Contactor (3 Module)

Part Number
MCEUC3-40-4P
MCEUC3-40-4NCP
MCEUC3-63-4P
MCEUC3-63-4NCP

## Specifications

	MCEUC1-20	MCEUC1-25	MCEUC2-25	MCEUC3-40	MCEUC3-63
No. of Modules Wide	1 Module	1 Module	2 Modules	3 Modules	3 Modules
Width	18mm	18mm	36mm	54mm	54mm
Rated current (In)	20A	25A	25A	40A	63A
Rated Insulation Voltage (Ui)	400V AC	400V AC	500V AC	500V AC	500V AC
Rated Operating Voltage (Un)	240V AC	240V AC	400V AC	400V AC	400V AC
Rated Operation Current AC1 (Ie)	20A	25A	25A	40A	63A
Rated Operation Current AC3 (Ie)	9A	9A	9A	25A	32A
Rated Power AC1	4kW (230V AC)	4kW (230V AC)	16kW	28kW	40kW
Rated Power AC3	-	-	4kW	12kW	15kW
Rated Terminal Capacity	1.5~10mm <sup>2</sup>	1.5~10mm <sup>2</sup>	1.5~10mm <sup>2</sup>	2.5~25mm <sup>2</sup>	2.5~25mm <sup>2</sup>
Rated Terminal Capacity (Coil)	0.75~2.5mm <sup>2</sup>	0.75~2.5mm <sup>2</sup>	0.75~2.5mm <sup>2</sup>	0.75~2.5mm <sup>2</sup>	0.75~2.5mm <sup>2</sup>

Lamp Type	Lamp Data		Permissible number of lamps per circuit (230V, 50Hz) Contactor type EUC:				Capacitor Load in $\mu$ F
	11 Watt	In A	20A	25A	40A	63A	
Incandescent lamps	60	0.26	21	25	54	83	-
	100	0.43	13	15	32	50	
	200	0.87	7	7	16	25	
	300	1.3	4	5	11	16	
	500	2.17	3	3	6	10	
	1000	4.35	1	1	3	5	

Newark.com/multicomp-pro  
 Farnell.com/multicomp-pro  
 sg.element14.com/b/multicomp-pro

**multicomp** PRO

# Din Rail Mounted Modular Contactor

## 2 and 4 Pole Modular Contactor (1, 2 and 3 Module)

**multicomp** PRO

Lamp Type	Lamp Data		Permissible number of lamps per circuit (230V, 50Hz) Contactor type EUC:				Capacitor Load in $\mu$ F
	11 Watt	In A	20A	25A	40A	63A	
Fluorescent lamps, p.f. un-corrected & series p.f. correction	15	0.33	25	30	100	155	-
	20	0.37	22	26	85	135	
	40	0.43	17	20	65	105	
	58	0.67	10	12	40	65	
	65	0.67	10	12	40	65	
	115	1.5	4	5	18	28	
140	1.5	4	5	18	28		
Lead-lag circuit	2×20	2×0.13	2×22	2×26	2×85	20×140	-
	2×40	2×0.22	2×17	2×20	2×65	2×105	
	2×58	2×0.32	2×10	2×12	2×40	2×65	
	2×65	2×0.34	2×10	2×12	2×40	2×65	
	2×115	2×0.65	2×4	2×5	2×18	2×28	
	2×140	2×0.75	2×4	2×5	2×18	2×28	
Parallel p.f. correction	15	0.11	6	8	16	67	4.5
	20	0.13	6	8	16	67	4.5
	40	0.22	6	8	16	67	4.5
	58	0.32	4	5	10	43	7
	65	0.34	4	5	10	43	7
	115	0.65	1	2	4	17	18
140	0.75	1	2	4	17	18	
High-pressure mercur-vapour lamps p.f. uncorrected	50	0.61	12	14	36	50	-
	80	0.8	7	10	27	38	
	125	1.15	5	7	19	26	
	250	2.15	3	4	10	14	
	400	3.25	1	2	7	10	
	700	5.40	-	1	4	6	
	1000	7.5	-	1	3	4	
	2000/400V	8	-	1	3	4	
Parallel p.f. correction	50	0.28	4	5	10	43	7
	80	0.41	3	4	8	37	8
	125	0.65	2	3	6	26	10
	250	1.22	1	2	3	15	18
	400	1.95	-	1	3	10	25
	700	3.45	-	-	1	5	45
	1000	4.8	-	-	1	4	60
	2000/400V	5.45	-	1	2	3	35
Lamps with electronic ballast units (EVG)	EVG for Watt		Permissible number of electronic ballast units per circuit (230V, 50 Hz)				-
	1×18 -		15	24	55	76	
	2×18 -		8	18	34	48	
	1×36 -		12	16	34	47	
	2×36 -		7	11	20	29	
	1×58 -		11	14	32	46	
	2×58 -		6	8	17	24	

**Din Rail Mounted Modular Contactor**  
**2 and 4 Pole Modular Contactor (1, 2 and 3 Module)**

**multicomp** PRO

Lamp Type	Lamp Data		Permissible number of lamps per circuit (230V, 50Hz) Contactor type EUC:				Capacitor Load in $\mu$ F
	11 Watt	In A	20A	25A	40A	63A	
Halogen metal-vapour lamps, p.f.	35	0.53	-	10	28	38	-
	70	1	-	5	14	20	
	150	1.8	-	3	8	11	
	250	3	-	2	5	7	
	400	3.5	-	1	4	6	
	1000	9.5	-	-	1	2	
	2000	16.5	-	-	1	1	
	2000/ 3500/ 400V	10.5 18 -	- - -	- - -	2 1 -	2 1 -	
Parallel p.f. correction	35	0.25	-	5	11	30	6
	70	0.45	-	3	5	18	12
	150	0.75	-	1	3	9	20
	250	1.5	-	1	2	7	33
	400	2.5	-	1	2	6	35
	1000	5.8	-	-	-	2	95
	2000	11.5	-	-	-	1	148
	2000/ 3500/ 400V	6.6 11.6	- -	- -	1 -	2 1	58 100
Low-pressure mercury-vapour lamps p.f.	35	1.5	5	8	22	30	-
	55	1.5	5	8	22	30	
	90	2.4	3	5	13	19	
	135	3.5	2	3	10	13	
	150	3.3	2	3	10	14	
	180	3.3	2	3	10	14	
	200	2.3	3	5	14	20	
	35	0.31	-	1	4	15	20
	55	0.42	-	1	4	15	20
	90	0.63	-	1	3	10	30
	135	0.94	-	-	2	7	45
	150	1	-	-	2	8	40
	180	1.16	-	-	2	8	40
	200	1.32	-	1	3	12	25
High-pressure sodium-vapour lamps p.f.	150	1.8	-	4	15	20	-
	250	3	-	3	9	15	
	330	3.7	-	2	8	10	
	400	4.7	-	1	6	8	
	1000	10.3	-	-	3	4	
	150	0.83	-	1	3	15	20
	250	1.5	-	1	2	9	33
	330	2.0	-	-	2	7	40
	400	2.4	-	-	1	6	48
	1000	6.3	-	-	-	2	106

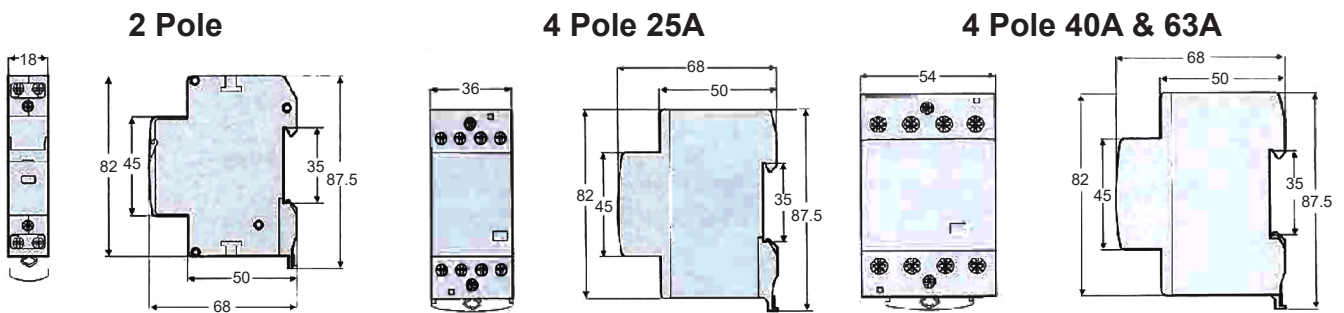
# Din Rail Mounted Modular Contactor

## 2 and 4 Pole Modular Contactor (1, 2 and 3 Module)



Lamp Type	Lamp Data		Permissible number of lamps per circuit (230V, 50Hz) Contactor type EUC:				Capacitor Load in $\mu$ F
	11 Watt	In A	20A	25A	40A	63A	
-	Transformers for Watt		Permissible number of transformers per circuit (230V, 50Hz)				-
	20		40	52	110	174	
	50		20	24	50	80	
	75		13	16	35	54	
	100		10	12	27	43	
	150		7	9	19	29	
	200		5	6	14	23	
	300		3	4	9	14	

### Dimensions



Dimensions : Millimetres

### Part Number Table

Description	Part Number	Description	Part Number
2P NO, 20A, 230V, AC Coil	MCEUC1-20-2P	4P NO, 25A, 230V, AC Coil	MCEUC2-25-4P
2P NC, 20A, 230V, AC Coil	MCEUC1-20-2NC	4P NC, 25A, 230V, AC Coil	MCEUC2-25-4NCP
2P NO, 25A, 230V, AC Coil	MCEUC1-25-2P	2 NO + 2 NC, 25A, 230V, AC Coil	MCEUC2-25-2NO2NCP
2P NC, 25A, 230V, AC Coil	MCEUC1-25-2NCP	4P NO, 40A, 230V, AC Coil	MCEUC3-40-4P
2P NO, 20A, 24V, AC Coil	MCEUC1-20-2NOB	4P NC, 40A, 230V, AC Coil	MCEUC3-40-4NCP
2P NC, 20A, 24V, AC Coil	MCEUC1-20-2NCB	4P NO, 63A, 230V, AC Coil	MCEUC3-63-4P
1 NO + 1 NC, 20A, 230V, AC Coil	MCEUC1-20-NONCP	4P NC, 63A, 230V, AC Coil	MCEUC3-63-4NCP

**Important Notice :** This data sheet and its contents (the "Information") belong to the members of the AVNET group of companies (the "Group") or are licensed to it. No licence is granted for the use of it other than for information purposes in connection with the products to which it relates. No licence of any intellectual property rights is granted. The Information is subject to change without notice and replaces all data sheets previously supplied. The Information supplied is believed to be accurate but the Group assumes no responsibility for its accuracy or completeness, any error in or omission from it or for any use made of it. Users of this data sheet should check for themselves the Information and the suitability of the products for their purpose and not make any assumptions based on information included or omitted. Liability for loss or damage resulting from any reliance on the Information or use of it (including liability resulting from negligence or where the Group was aware of the possibility of such loss or damage arising) is excluded. This will not operate to limit or restrict the Group's liability for death or personal injury resulting from its negligence. Multicomp Pro is the registered trademark of Premier Farnell Limited 2019.

Newark.com/multicomp-pro  
 Farnell.com/multicomp-pro  
 sg.element14.com/b/multicomp-pro

