

## FEATURES

- The supply voltage rating ranging from 12VAC to 230VAC and 12VDC to 230VDC
- 1C/O SPDT contact configuration with relay output 8A
- 7 selectable time
- 3 Switch initiated functions are re-trigger able
- Fine adjustment of selected time range
- LED warning indication if the function is changed whilst powered
- Switch initiated functions

## RS PRO SPDT Multi Function Multi timer -, DIN Rail

RS Stock No.: 102-6122



RS Professionally Approved Products bring to you professional quality parts across all product categories. Our product range has been tested by engineers and provides a comparable quality to the leading brands without paying a premium price.

## Product Description

The RS PRO multi-function timer relay is a compact digital equipment with high precision and accuracy to suit a wide variety of applications. It performs the function of providing supply initiated On delay, supply initiated interval, supply initiated symmetrical Off/On flasher, switch initiated On delay, switch initiated Off delay, switch initiated interval (Trailing) and switch initiated interval (leading) in the range between 0.1 seconds to 100 hours. This can be installed into new and existing applications without much hassle.

## General Specifications

<b>Contact Configuration</b>	SPDT
<b>Number of Timer Functions</b>	Multi-Function
<b>Time Range</b>	0.1seconds – 100hours
<b>Time Delay</b>	100ms
<b>Reset Time</b>	100ms
<b>Accuracy</b>	± 1% of maximum full scale
<b>Adjustment Accuracy</b>	< 5% of maximum full scale
<b>Repeat Accuracy</b>	± 0.5% at constant conditions
<b>Power on indication / Timing</b>	Green LED
<b>Relay Status</b>	Red LED
<b>Housing</b>	Orange flame retardant
<b>Applications</b>	Textiles, Chemical industry, Mining, Irrigation, Raw material handling, Food and beverages, Industrial process control

Timing Ranges (7):		
Seconds	Minutes	Hours
0.1 – 1	0.1 – 1	0.1 – 1
1 – 10	1 – 10	1 – 10
		10 – 100

## Electrical Specifications

<b>Supply Voltage</b>	12V – 230V AC/DC
<b>Minimum Voltage</b>	12VAC/DC
<b>Maximum Voltage</b>	230VAC/DC
<b>Frequency Range</b>	48Hz to 63Hz (AC supplies)
<b>Relay Output</b>	1 x SPDT relay output 8A
<b>Terminal Type</b>	Screw
<b>Terminal Conductor Size</b>	≤ 2 x 2.5mm <sup>2</sup> solid or stranded
<b>Supply Variation</b>	+/- 15%
<b>Overvoltage category</b>	III (IEC 60664)
<b>Rated Impulse Withstand Voltage</b>	4kV (1.2/50μS)
<b>Dielectric Voltage</b>	2kV AC (rms)
<b>Drift with Voltage</b>	±0.2%/V
<b>Electrical Life</b>	≥150,000 ops at rated load

## Power Consumption (Maximum):

Voltage	12V	24V	110V	230V
AC	0.3VA	0.4VA	1.3VA	3.4VA
DC	0.26VA	0.24VA	0.47VA	0.95VA

## Mechanical Specifications

<b>Mounting Type</b>	DIN-Rail
<b>Width</b>	17.5mm
<b>Length</b>	89mm
<b>Weight</b>	60g

## Operation Environment Specifications

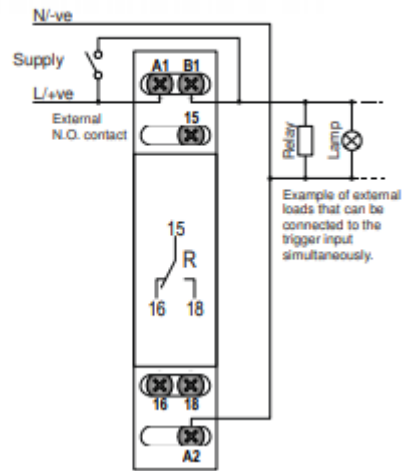
<b>Maximum Operating Temperature</b>	60°C
<b>Minimum Operating Temperature</b>	-20°C
<b>Ambient Temperature</b>	-20 to 60°C
<b>Drift with temperature</b>	± 0.05% / °C
<b>Relative Humidity</b>	+95%

## Approvals

<b>Compliance/Certifications</b>	CE, UL
<b>Standards Met</b>	UL approved, cULus approved, IEC 61812, CE certified, C-tick certified, EN 61000-6-2, EN 61000-4-3, EN 61000-6-4, IEC 60947-1, IEC 60664

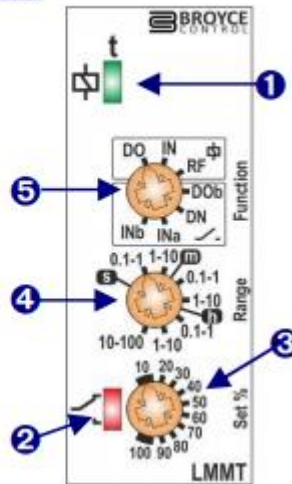


### • CONNECTION DIAGRAM

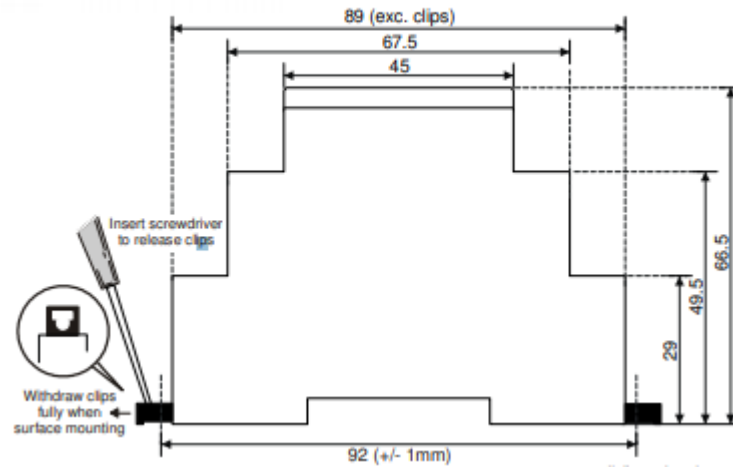


### • SETTING DETAILS

1. Power supply status / Timing (Green) LED
2. Relay output status (Red) LED
3. "Set %" adjustment
4. Time delay "Range" selector
5. Timing "Function" selector



**DIMENSIONS**



**FUNCTION DIAGRAMS**

