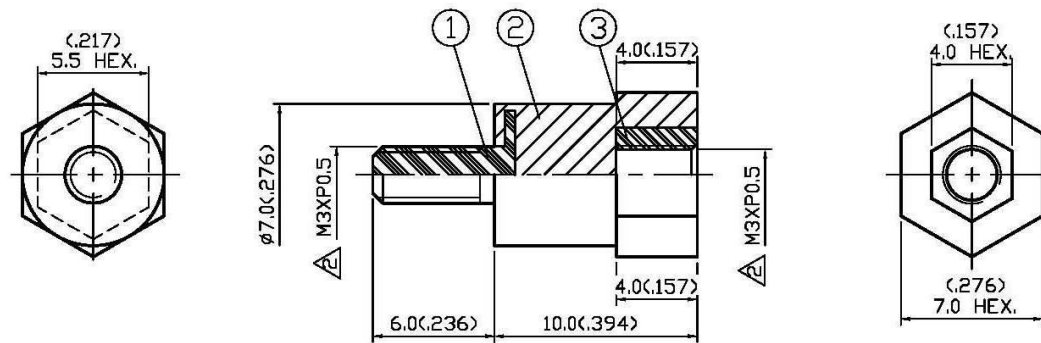


| NO | DESCRIPTION | DATE |
|----|---------------------------|-----------|
| ① | DEL 222-660 | 12.29.06' |
| ② | DEL Ø2.8 ; Ø2.5 | 03.26.08' |
| ③ | NYLON 6 → H50LN | 07.08.10' |
| ④ | NICKEL 100µ"MIN. → NICKEL | 11.21.14' |



P/N: 6539532

| NO | DESCRIPTION | MATERIAL | Q'TY | FINISH | |
|----|-------------|----------|------|--------|---|
| 3 | NUT | BRASS | 1 | NICKEL | ④ |
| 2 | INSULATION | H50LN | 1 | NONE | ③ |
| 1 | SCREW | BRASS | 1 | NICKEL | ④ |

| | | | | | | | | |
|----|----------|-----------|-------|----------------|---------|-----------|----|------|
| 製圖 | DRAWN | TOLERANCE | 品名 | 95-90 | 日期 | DATE | 版次 | REV. |
| | Kristina | X ±0.2 | TITLE | ROHS COMPLIANT | | 10.26.99' | | A-4 |
| 檢圖 | CHECK | XX ±0.1 | 單位 | mm(in) | DWG.NO. | 95-0087 | | |
| | Arc | XXX ±0.05 | 比例 | SCALE | | 4:1 | | |
| 認定 | APPROVAL | ANGLE ±5° | 比例 | | | | | |
| | Angela | | | | | | | |