

Datasheet

RS PRO Precision work accurate and efficient - with the magnifying lamp D160 with jointed arm

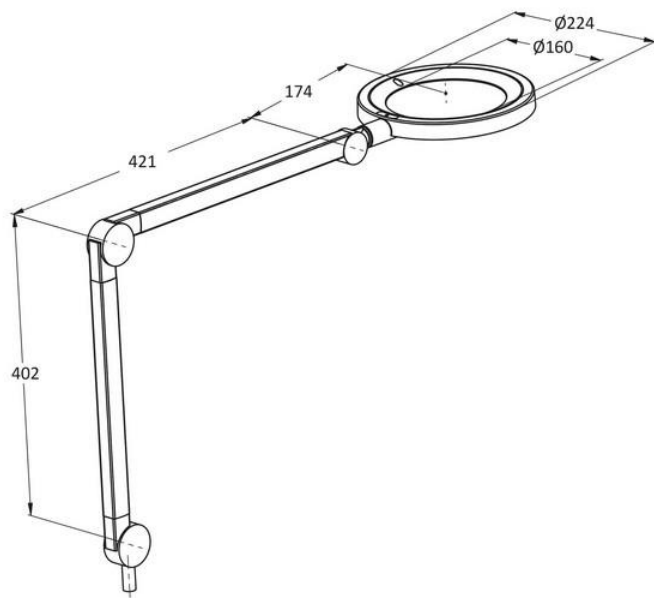
Stock No: 2500424



The flexible magnifying lamp for a clear view during precision work

- Adapter set for mounting on aluminum profiles - without clamp
- Jointed arm can be mounted vertically, horizontally and diagonally
- Adjustable friction for stable hold
- High-quality, robust plastic parts

The magnifying lamp D160 with jointed arm provides optimum visibility at the assembly workstation and thus enables fatigue-free and ergonomic working. The error rate is minimized, productivity increases.



Strong fixation on the aluminum profile - without table clamp

The jointed arm of the magnifying lamp D160 can be screwed directly to an aluminum profile 40x40 using the adapter. This leaves the working area free. The perfectly balanced jointed arm with adjustable friction and large swivel range allows vertical rotation of 360°. The head joint can be swivelled horizontally by 270°. The magnifying lamp thus offers a large radius of action and maximum flexibility.

With a single hand movement, the magnifying lamp D160 can be individually adjusted to the needs of the individual employee.

Just as easy is the re-adjustment for a perfect view at every work step. This ensures fatigue-free working in the long term. Due to the adjustable friction, the magnifying lamp has a stable hold in every position and at every angle of inclination. In this way you achieve an optimum of efficiency and ergonomics at the workplace.