

RoHS
Compliant

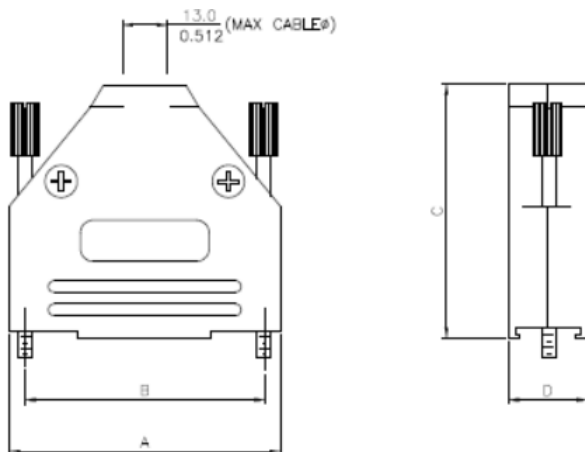


Backshell Kit Includes

- Backshell Halves
- 4-40 Thumbscrews
- Housing Screws & Nuts
- Set of compression inserts - various sizes
Diameters: 4mm(.157"), 5mm(.197"), 7mm (.276"), 9mm (.351")

Specifications

Plastic : ABS UL 94-HB Rated
 Plating : Nickel Plated
 Jackscrews : Steel-Zinc Plated
 M3 Hoodscrews : Steel-Zinc Plated
 Compression Inserts : ABS UL 94-HB Rated
 M3 Nuts : Steel-Zinc Plated
 Operating Temperature : -55° to +110°C



Dimensions (mm/in)				
Size	A ± 0.5 ± 0.02	B ± 0.5 ± 0.02	C ± 0.5 ± 0.02	D ± 0.5 ± 0.02
9	31.5	24.99	40.5	15
	1.24	0.984	1.594	0.591
15	40	33.32	40.5	15
	1.575	1.312	1.594	0.591
25	54	47.04	49.5	15
	2.126	1.852	1.949	0.591

Dimensions : Millimetres

D Sub Connector Kits

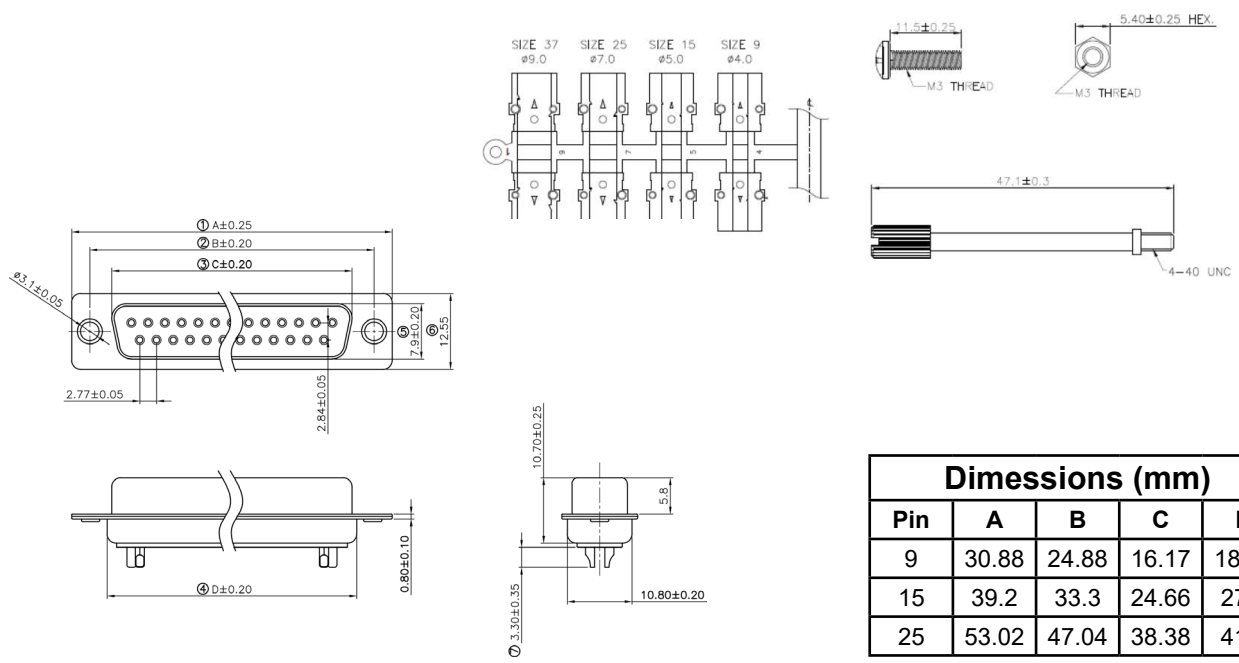


Specifications

Rated Voltage : 250V
 Rated Current : 5AMP
 Contact Resistance : 20MΩ Max.
 Insulation Resistance : 1000MΩ Min. at 500V DC
 Withstand Voltage : 500V/minute
 Temperature Range : -55°C to +105°C

Material

Plastic : PBT+30% G.F (UL94V-0) Black
 Terminal : Brass, Tin-Gold Plated
 Spcc Shell : Spcc front shell is ni plated back shell is tin plated



Dimensions : Millimetres

Part Number Table

Description	Part Number
D Sub Backshell Metallised Plastic And 9 Way Female Stamped And Formed Connector	MP010162
D Sub Backshell Metallised Plastic And 15 Way Female Stamped And Formed Connector	MP010164
D Sub Backshell Metallised Plastic And 25 Way Female Stamped And Formed Connector	MP010166

Important Notice : This data sheet and its contents (the "Information") belong to the members of the AVNET group of companies (the "Group") or are licensed to it. No licence is granted for the use of it other than for information purposes in connection with the products to which it relates. No licence of any intellectual property rights is granted. The Information is subject to change without notice and replaces all data sheets previously supplied. The Information supplied is believed to be accurate but the Group assumes no responsibility for its accuracy or completeness, any error in or omission from it or for any use made of it. Users of this data sheet should check for themselves the Information and the suitability of the products for their purpose and not make any assumptions based on information included or omitted. Liability for loss or damage resulting from any reliance on the Information or use of it (including liability resulting from negligence or where the Group was aware of the possibility of such loss or damage arising) is excluded. This will not operate to limit or restrict the Group's liability for death or personal injury resulting from its negligence. Multicomp Pro is the registered trademark of Premier Farnell Limited 2019.

Newark.com/multicomp-pro
 Farnell.com/multicomp-pro
 sg.element14.com/b/multicomp-pro

