



# Datasheet

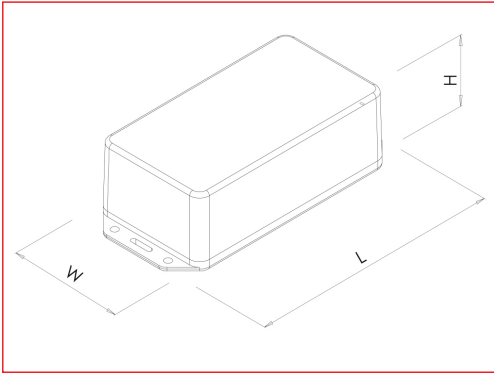
EN

## Product overview

For applications requiring surface or wall mounting and protection against dust and water ingress. Provides extra security once mounted by restricting access to the screws in the lid.

- Flanged lid and base moulded in ABS
- Lid mounted by four M3 machine screws
- Polished finish for ease of cleaning
- Excellent properties for machining
- Integral mounting guides to accept 1.6mm PCBs
- PCB adaptors (not included) for horizontal PCB mounting
- Plastic standoffs in lid for PCB mounting
- 2000 series flanged has been designed to meet the requirements of IP54 and IP65 with gasket accessory





SPECIFICATION	
Materials	Lid and base high impact ABS
Operating temperature	Resistant to temperatures of up to 80°C
Standard colours	Grey and black
Protection class	2000 series flanged has been designed to meet the requirements of IP54 or additionally, IP65 with the gasket accessory
Standard unit includes	Base and flanged lid 4x M3 screws - required torque setting 10 cNm (0.1Nm)
Options	IP65 gasket kits BIM adaptor

GREY	BLACK	LENGTH	WIDTH	HEIGHT
	1533672	95mm	52mm	28mm
1533688	1533674	105mm	58mm	40mm
1533695	1533670	132mm	64mm	32mm
	1533701	162mm	82mm	31mm
1533680	1533692	170mm	82mm	51mm
1533683	1533684	210mm	112mm	61mm