

FEATURES

- Through beam reflection working principle;
- Excellent anti-interference performance;
- Emitter and receiver should be used in pair;
- Bracket included: 58*60*20mm

RS PRO Photoelectric Sensor

RS Stock No.: 2024482, 2024483



RS PRO Professionally Approved Products bring to you professional quality parts across all product categories. Our product range has been tested by engineers and provides a comparable quality to the leading brands without paying a premium price.

Part Number Description

Part number	Sensing distance	Light source	Output	Connection
202-4482 (Emitter)	60m (adjustable)	Infrared LED (850nm)	Relay	2m PVC cable
202-4482 (Receiver)				

General Specifications

Detection Type	Through beam reflection
Standard target	> ϕ 15mm opaque object
Repeat accuracy [R]	\leq 5%
Response time	\leq 10ms
Output Indicator	Emitter: Green LED; Receiver: Yellow LED
Ambient temperature	-25°C...55 °C
Ambient humidity	35~85%RH (non-condensing)
Voltage withstand	2000V/AC 50/60Hz 60s
Insulation resistance	\geq 50M Ω (500VDC)
Vibration resistance	10...50Hz (0.5mm)

Electrical Specifications

Operating Supply Voltage	24...240 VAC/DC
Current Consumption	\leq 35mA
Residual voltage
Load Current	\leq 3A (Receiver)
Circuit Protection	NO

Mechanical Specifications

Body Style	Block
Mounting Type	Screw
Housing Material	PC/ABS
Dimensions	50*50*18mm
Gross Weight	220g

Protection Category

IP Rating	IP67
-----------	------

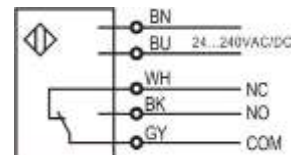
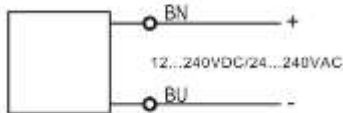
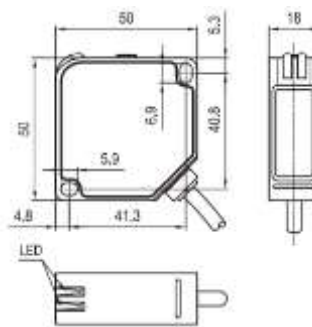
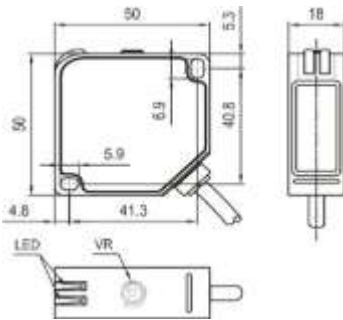
Additional Information

Custom Tariff Number/HS code	903180
-------------------------------------	--------

Approvals

Compliance/Certifications	CE
----------------------------------	----

Dimension and Wiring



Emitter

Receiver