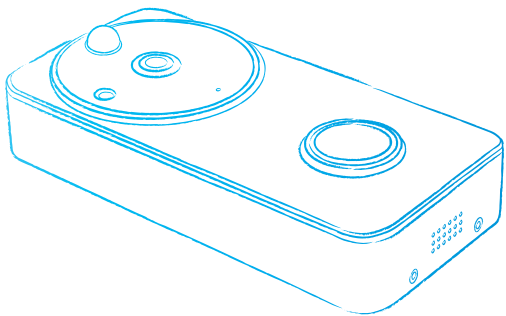


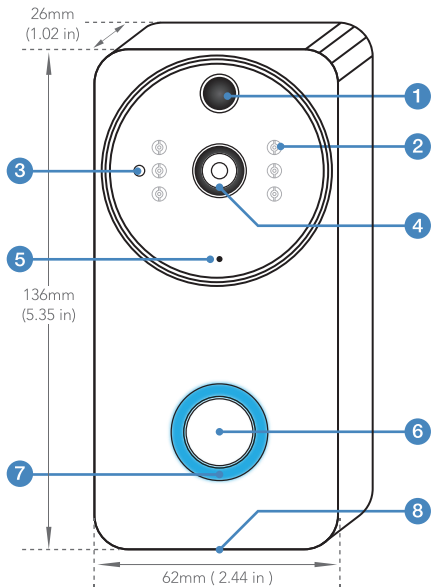
Datasheet
RS PRO Video Doorbell

Stock No: 192-4545,192-4546



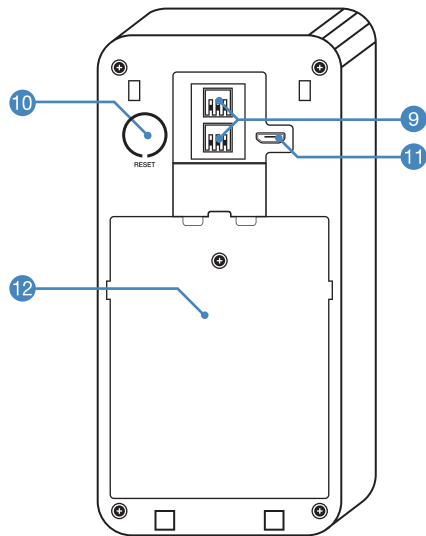
Quick Start Guide

2

Product Drawing - Front


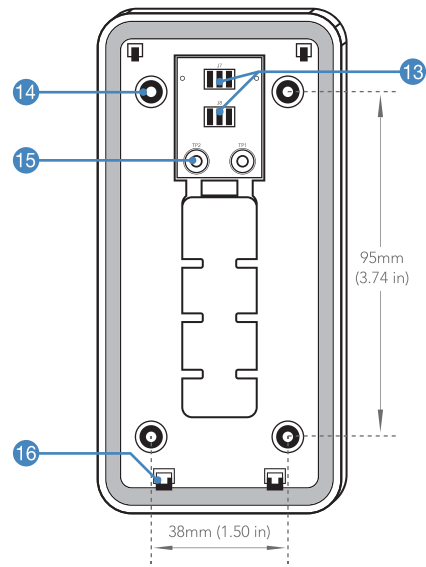
- | | |
|----------------------|------------------|
| 1. PIR Motion Sensor | 5. Microphone |
| 2. Infrared LED × 6 | 6. Push Button |
| 3. Light Sensor | 7. LED Indicator |
| 4. 166° HD Camera | 8. Speakers |

3

Product Drawing - Back


- | |
|---------------------------------------|
| 9. AC8V~24V Power Interface |
| 10. Reset Button |
| 11. Micro USB Port (Battery Charging) |
| 12. Battery Compartment Cover |

4

Product Drawing - Mounting Bracket


- | |
|--------------------------------|
| 13. Power Contact Base |
| 14. Mounting Screw Holes × 4 |
| 15. AC 8V~24V Wire Screw Holes |
| 16. Mounting Hooks × 6 |



rspro.com



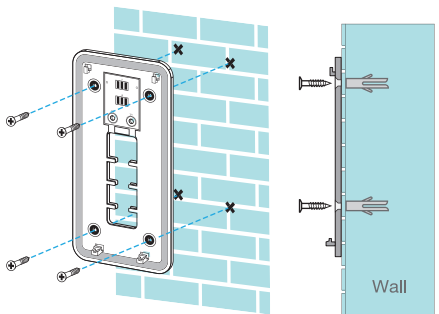
rspro.com



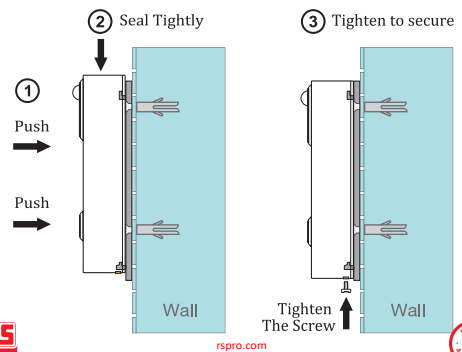
rspro.com



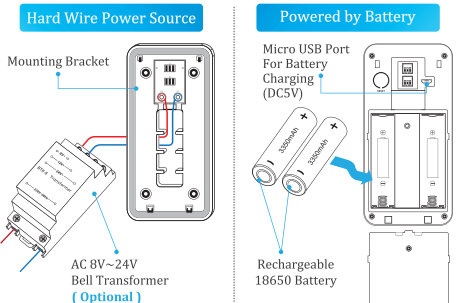
• Installation -Bracket Install



• Installation -Doorbell Install



• Power Supply Solution



• App Download - ToSee



ToSee



iOS

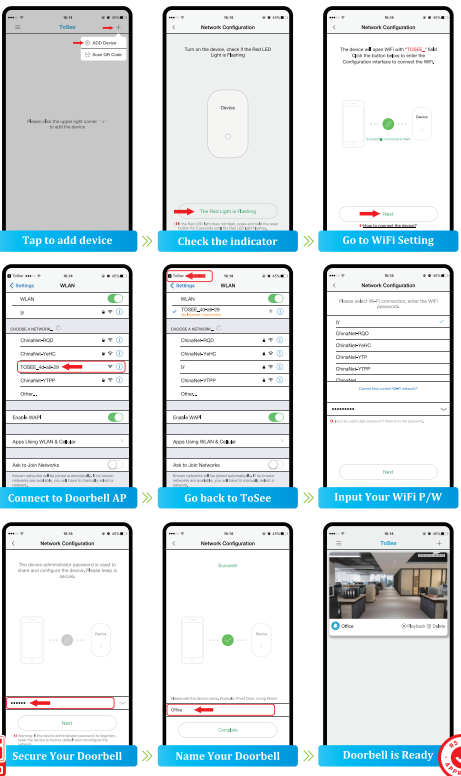


Android

Download the APP "ToSee" from APP Store or Google Play, run the APP on your smartphone and configure your doorbell, following the in-APP instructions.




• Device Configuration



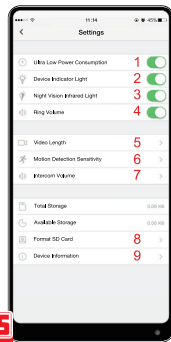
• Live View Interface



1. Control the scene volume
2. Playback recorded videos
3. Image effect configuration
4. Full screen view
5. Screenshot button
6. Talk to visitor
7. Tap to record on smart phone
8. Share the device to other users
9. Setting menu
10. Back to device list
11. Battery charging icon

(Low battery alert : )

• Setting Menu



1. Enable/disable power saving
2. LED light on/off switch
3. Night Vision IR Light on/off switch
4. Ring Volume on/off switch
5. Recording Length Config
6. Motion detection sensitivity config
7. Intercom volume config
8. Format Micro SD card button
9. Device info

• Note:

Menu contents are subject to change without notice in accordance with our policy of continuous product improvement.

