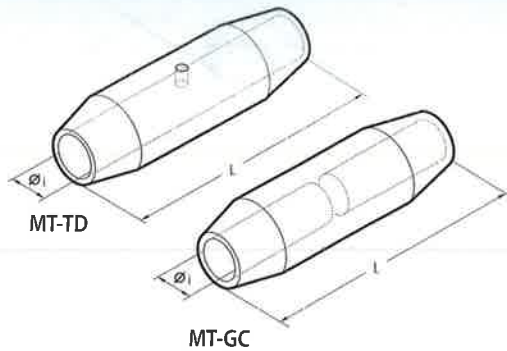


HIGH VOLTAGE COPPER THROUGH CONNECTORS

MT-TD MT-GC



Conductor Size (sqmm) & Format	Type	Type	Dimensions mm		Quantity Box/Bag	Hydraulic Tools
			ϕ_i	L		
25 R/BR/BS*	MT25-TD	MT25-GC	6,8	60,0	90/3	HT45-E B450ND-BVE HT51 RH50 B500E B500DE B500E HT81-U RHU81 HT120 and tools and heads with 130 kN crimping force ECW-H3D RHU520
30 RC/S ÷ 40 S	MT40S-TD	MT40S-GC	8,2	60,0	90/3	
30 BR/BS*	MT35-TD	MT35-GC	8,2	60,0	90/3	
50 RC	MT50R-TD	MT50R-GC	8,7	60,0	90/3	
50 S	MT50S-TD	MT50S-GC	9,5	60,0	90/3	
50 BR/BS*	MT50-TD	MT50-GC	9,5	60,0	90/3	
63 S ÷ 70 S	MT70S-TD	MT70S-GC	11,0	70,0	30/3	
70 BR/BS*	MT70-TD	MT70-GC	11,0	70,0	30/3	
80 S ÷ 95 RC	MT95R-TD	MT95R-GC	12,0	80,0	30/3	
95 S ÷ 100 S	MT95S-TD	MT95S-GC	13,5	80,0	30/3	
95 BR/BS*	MT95-TD	MT95-GC	13,5	80,0	30/3	
120 RC/S ÷ 150 RC	MT150R-TD	MT150R-GC	15,0	80,0	30/3	
120 BR/BS*	MT120-TD	MT120-GC	15,0	80,0	30/3	
150 S ÷ 160 RC	MT150S-TD	MT150S-GC	16,5	80,0	30/3	
150 BR/BS*	MT150-TD	MT150-GC	16,5	80,0	30/3	
160 S ÷ 200 RC	MT200R-TD	MT200R-GC	17,0	100,0	30/3	
185 BR/BS*	MT185-TD	MT185-GC	18,0	100,0	30/3	
200 S ÷ 240 RC	MT240R-TD	MT240R-GC	19,2	100,0	30/3	
240 S ÷ 315 RC	MT315R-TD	MT315R-GC	21,5	100,0	30/3	
240 BR/BS*	MT240-TD	MT240-GC	20,5	100,0	30/3	
300 BR/BS*	MT300-TD	MT300-GC	23,0	100,0	30/3	
315 S	MT315S-TD	MT315S-GC	23,7	100,0	30/3	
400 BR/BS*	MT400-TD	MT400-GC	27,0	120,0	15/3	
500 R	MT500-TD		30,3	118,0	15/3	
600 R ÷ 630 R	MT630-TD		33,4	130,0	9/3	

Conductor Format: R = Round, RC = Round Compact, S = Sector, BR = IEC228 (BS6360) Round, BS* = IEC228 (BS6360) Sector
 * = Pre-rounding required, consult Cembre for appropriate die set



MT-TD and MT-GC series connectors are designed to join conductors in high voltage applications up to 33 kV.

They are manufactured from high purity Copper, annealed and Tin plated.

MT-GC series feature a solid stop which forms a barrier between the two conductors being joined, this prevents the migration of oils or greases, which may be present, in one cable contaminating the other cable.

MT-TD connectors are unblocked and are suitable for joining cables of the same type.

Details of the appropriate crimping tools and dies are shown on page 212.