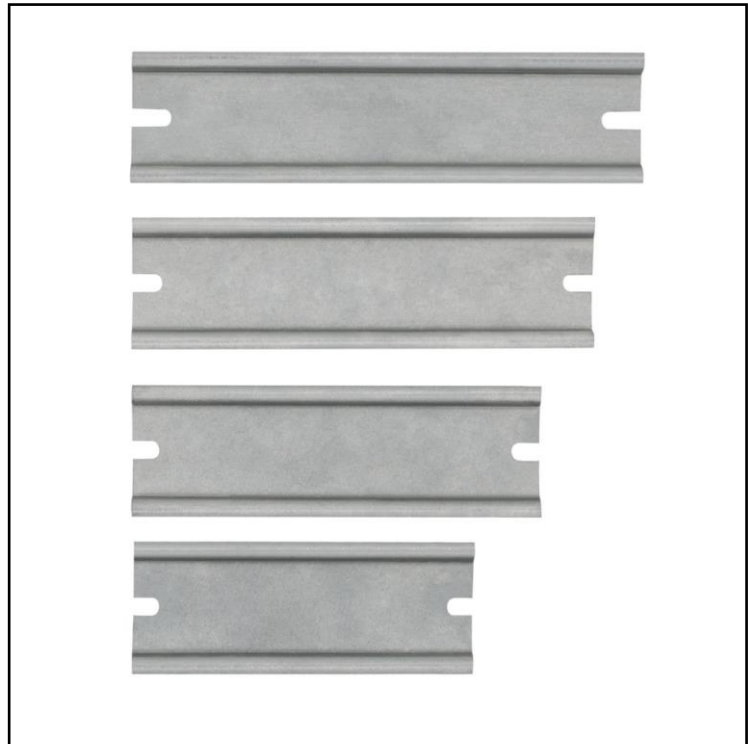


## FEATURES

- Made of galvanized steel

## RS PRO Din Rail

RS Stock No.: 2383967



RS Professionally Approved Products bring to you professional quality parts across all product categories. Our product range has been tested by engineers and provides a comparable quality to the leading brands without paying a premium price.

**Product Description**

*Din rail for RS hermetic enclosures.*

**General Specifications**

<b>Material</b>	Galvanized steel
-----------------	------------------

**Mechanical Specifications**

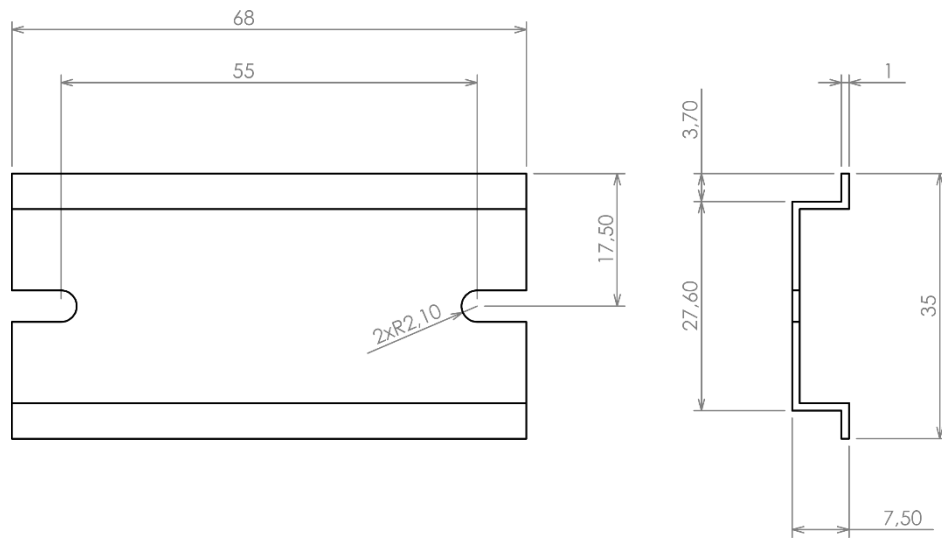
<b>Height</b>	7.5 mm
<b>Width</b>	35.0 mm
<b>Length</b>	68 mm

**Approvals**

<b>Standards Met</b>	RoHS Compliant
----------------------	----------------

## Similar Products

Stock No.	Brand	Product Name	Length
2383966	RS PRO	Din Rail	60 mm
2006730	RS PRO	Din Rail	143 mm



All dimensions are given within +/-0,5mm tolerance