

Datasheet

RS PRO NON-INSULATED FEMALE TERMINALS

Stock number: 178-8319

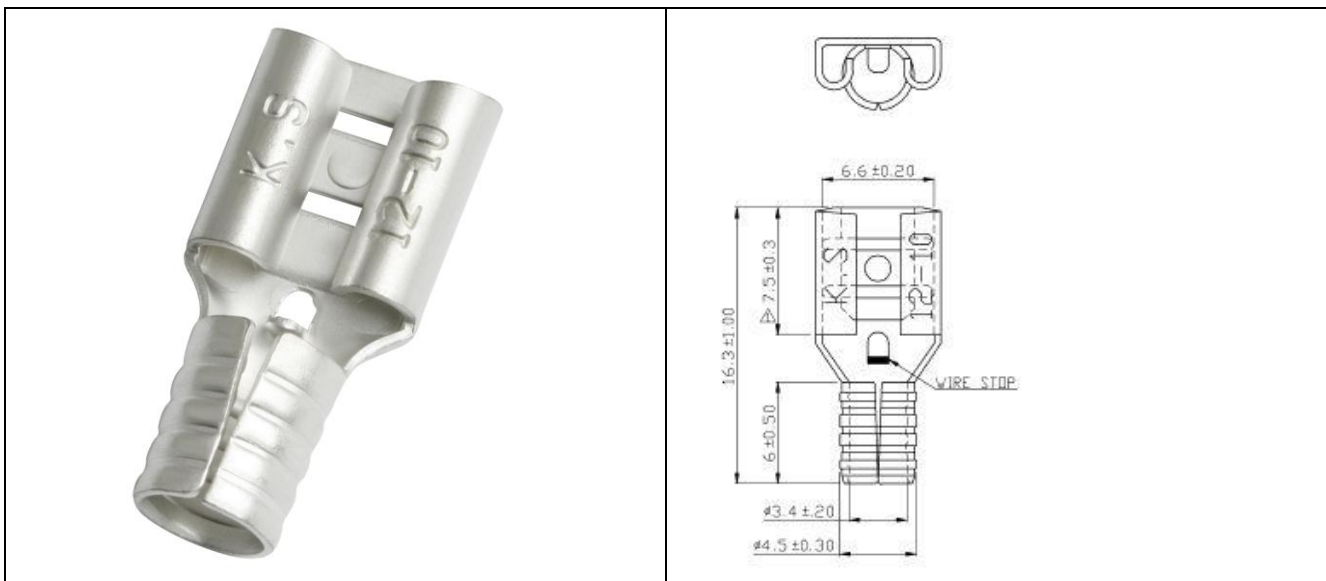
MAXIMUM ELECTRIC CURRENT:

| | | |
|--------|----|----|
| A.W.G. | 12 | 10 |
| AMP. | 20 | 24 |

TERMINAL MATERIAL: BRASS

SURFACE TREATMENT: TIN PLATED

TERMINAL BARREL I.D.: C=3.4MM



| WIRE RANGE A.W.G. mm ² | ITEM NO. | NEMA TAB | DIMENSION inch(mm) | | | |
|---|----------|-------------------------|--------------------|-------|-------|-------|
| | | | W | F | L | T |
| 12-10 A.W.G. | 178-8319 | .032X.250 (0.8X6.35) | 0.26 | 0.295 | 0.642 | 0.016 |
| 4-6 mm ² | | | 6.6 | 7.5 | 16.3 | 0.4 |