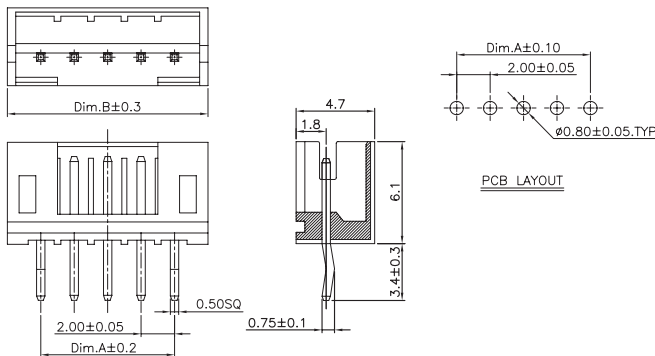


Shrouded Pin Headers Crimp Housings and Terminals

multicomp PRO

**RoHS
Compliant**

Straight Shrouded Pin Header Single Row



Specifications

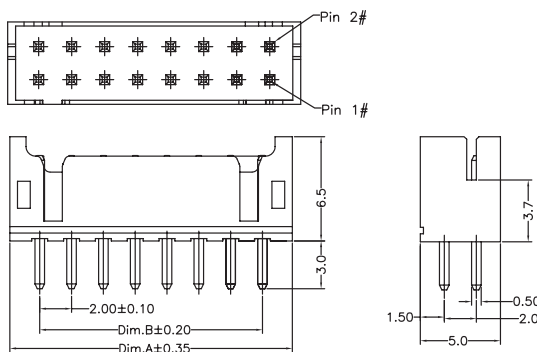
Current Rating	: 2A AC / DC
Voltage Rating	: 100V AC / DC
Contact Resistance	: 20mΩ Max.
Insulation Resistance	: 800MΩ Min.
Withstanding Voltage	: 1000V AC for One Minute
Operating Temperature Range	: -25°C to +85°C

Material and Finish

Insulator	: Nylon 66 (UL94V-0)
Insulator Colour	: White
Contact	: Brass
Contact Plating	: Tin Plated

Part Number	Position	Dimensions	
		A	B
MP001753	2	2	6.1
MP001754	3	4	8.1
MP001755	4	6	10.1
MP001756	5	8	12.1
MP001757	6	10	14.1
MP001758	7	12	16.1
MP001759	8	14	18.1
MP001760	9	16	20.1
MP001761	10	18	22.1
MP001762	11	20	24.1
MP001763	12	22	26.1
MP001764	13	24	28.1
MP001765	14	26	30.1
MP001766	15	28	32.1

Straight Shrouded Pin Header Dual Row



Dimensions : Millimetres

Specifications

Current Rating	: 2A AC / DC
Voltage Rating	: 250V AC / DC
Contact Resistance	: 20mΩ Max.
Insulation Resistance	: 800MΩ Min.
Withstanding Voltage	: 1000V AC for One Minute
Operating Temperature Range	: -25°C to +85°C

Material and Finish

Insulator	: Nylon 66 (UL94V-0)
Insulator Colour	: Ivory
Contact	: Brass
Contact Plating	: Tin Plated

Newark.com/multicomp-pro
Farnell.com/multicomp-pro
Element14.com/multicomp-pro

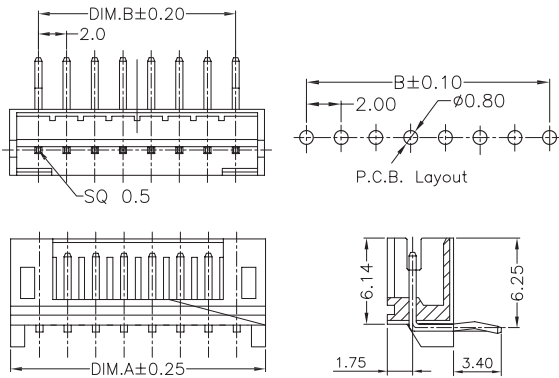
multicomp PRO

Shrouded Pin Headers Crimp Housings and Terminals

multicomp PRO

Part Number	Position	Dimensions	
		A	B
MP001731	6	8	4
MP001732	8	10	6
MP001733	10	12	8
MP001734	12	14	10
MP001735	14	16	12
MP001736	16	18	14
MP001737	18	20	16

Right Angle Shrouded Pin Header Single Row



Specifications

Current Rating	: 2AAC / DC
Voltage Rating	: 100V AC / DC
Contact Resistance	: 20mΩ Max.
Insulation Resistance	: 1000MΩ Min.
Withstanding Voltage	: 800V AC for One Minute
Operating Temperature Range	: -25°C to +85°C

Material and Finish

Insulator	: Nylon 66 (UL94V-0)
Contact	: Copper Alloy
Contact Plating	: Tin Plated

Part Number	Position	Dimensions	
		A	B
MP001767	2	6.04	2
MP001768	3	8.04	4
MP001769	4	10.04	6
MP001770	5	12.04	8
MP001771	6	14.06	10
MP001772	7	16.06	12
MP001773	8	18.08	14
MP001774	9	20.08	16
MP001775	10	22.1	18
MP001776	11	24.1	20
MP001777	12	26.12	22
MP001778	13	28.12	24
MP001779	14	30.14	26
MP001780	15	32.14	28

Dimensions : Millimetres

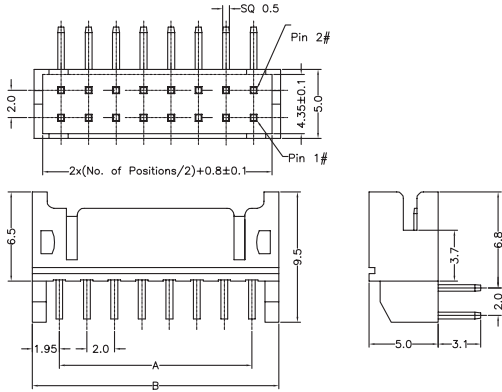
Newark.com/multicomp-pro
Farnell.com/multicomp-pro
Element14.com/multicomp-pro

multicomp PRO

Shrouded Pin Headers Crimp Housings and Terminals

multicomp PRO

Right Angle Shrouded Pin Header Dual Row



Part Number	Position	Dimensions	
		A	B
MP001738	6	4	8
MP001739	8	6	10
MP001740	10	8	12
MP001741	12	10	14
MP001742	14	12	16
MP001743	16	14	18
MP001744	18	16	20

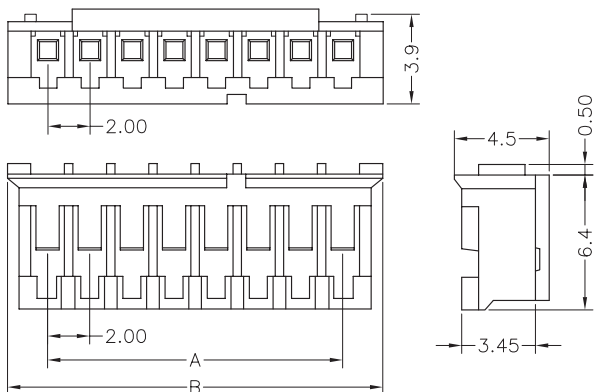
Specifications

Current Rating : 2A AC / DC
 Voltage Rating : 250V AC / DC
 Contact Resistance : 20mΩ Max.
 Insulation Resistance : 1000MΩ Min.
 Withstanding Voltage : 800V AC for One Minute
 Operating Temperature Range : -25°C to +85°C

Material and Finish

Insulator : Nylon 66 (UL94V-0)
 Insulator Colour : White
 Contact : Brass
 Contact Plating : Tin Plated

Crimp Housing



Specifications

Current Rating : 2A AC / DC
 Voltage Rating : 125V AC / DC
 Contact Resistance : 20mΩ Max.
 Insulation Resistance : 1000MΩ Min.
 Withstanding Voltage : 500V AC for One Minute
 Operating Temperature Range : -40°C to +85°C
 Applicable Wire : 24AWG to 28AWG

Material and Finish

Insulator : Nylon 66 (UL94V-0)
 Insulator Colour : White

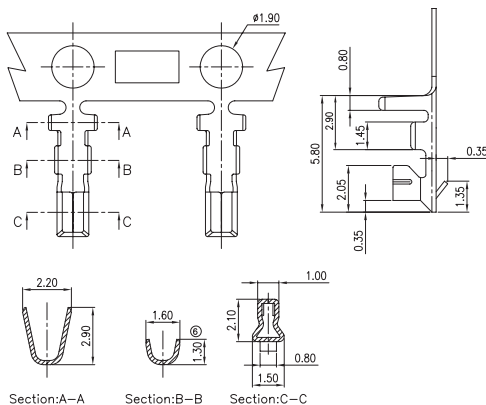
multicomp PRO

Shrouded Pin Headers Crimp Housings and Terminals

multicomp PRO

Part Number	Position	Dimensions	
		A	B
MP001781	2	2	5.8
MP001782	3	4	7.8
MP001783	4	6	9.8
MP001784	5	8	11.8
MP001785	6	10	13.8
MP001786	7	12	15.8
MP001787	8	14	17.8
MP001788	9	16	19.8
MP001789	10	18	21.8
MP001790	11	20	23.8
MP001791	12	22	25.8
MP001792	13	24	27.8
MP001793	14	26	29.8
MP001794	15	28	31.8

MP001837 - Terminal for 2mm Single Row Crimp Housings



Specifications

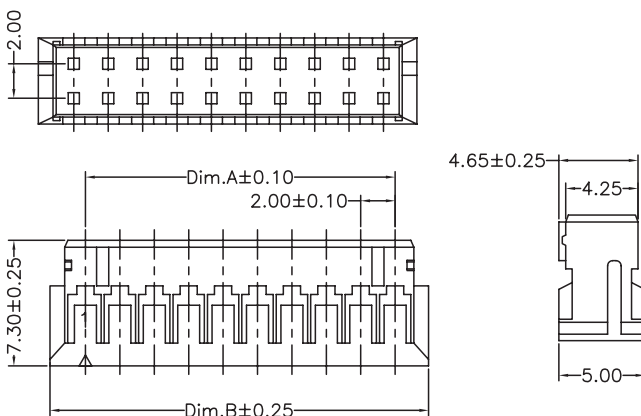
Applicable Wire : 24AWG to 28AWG
Insulation O.D. : 1.4mm Max.

Material and Finish

Contact : Phosphor Bronze
Contact Plating : Tin Plated

Dimensions : Millimetres

Crimp Housing



Specifications

Current Rating : 2AAC / DC
Voltage Rating : 125V AC / DC
Contact Resistance : 20mΩ Max.
Insulation Resistance : 1000MΩ Min.
Withstanding Voltage : 500V AC for One Minute
Operating Temperature Range : -40°C to +85°C

Material and Finish

Insulator : Nylon 66 (UL94V-0)
Insulator Colour : White
Contact Plating : Tin Plated

Newark.com/multicomp-pro
Farnell.com/multicomp-pro
Element14.com/multicomp-pro

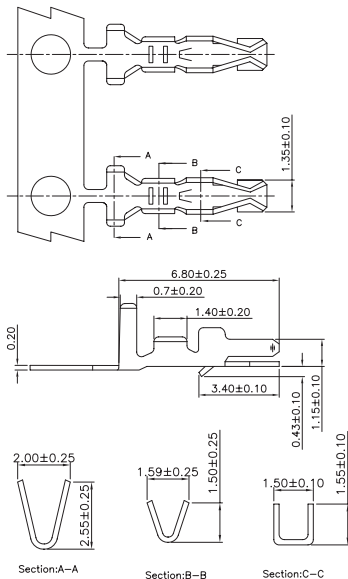
multicomp PRO

Shrouded Pin Headers Crimp Housings and Terminals

multicomp PRO

Part Number	Position	Dimensions	
		A	B
MP001745	6	4	7.9
MP001746	8	6	9.9
MP001747	10	8	11.9
MP001748	12	10	13.9
MP001749	14	12	15.9
MP001750	16	14	17.9
MP001751	18	16	19.9

MP001752 - Terminal for 2mm Dual Row Crimp Housings



Specifications

Current Rating : 2A AC / DC
 Voltage Rating : 125V AC / DC
 Contact Resistance : 20mΩ Max.
 Insulation Resistance : 1000MΩ Min.
 Withstanding Voltage : 500V AC for One Minute
 Operating Temperature Range : -40°C to +85°C
 Applicable Wire : 22AWG to 28AWG

Material and Finish

Insulator : High Temp. Plastic (Nylon 66 UL94V-0)
 Insulator Colour : White
 Contact : Phosphor Bronze
 Contact Plating : Tin Plated

Dimensions : Millimetres

Part Number Table

Description	Rows	Pitch (mm)	Positions	Pin Headers Part Number	Crimp Housing Part Number	Crimp Terminal for Housings
Straight Shrouded Pin Header	Dual	2	6	MP001731	MP001745	MP001752
			8	MP001732	MP001746	
			10	MP001733	MP001747	
			12	MP001734	MP001748	
			14	MP001735	MP001749	
			16	MP001736	MP001750	
			18	MP001737	MP001751	
Right Angle Shrouded Pin Header	Dual	2	6	MP001738	MP001745	MP001752
			8	MP001739	MP001746	

Newark.com/multicomp-pro
 Farnell.com/multicomp-pro
 Element14.com/multicomp-pro

multicomp PRO

Shrouded Pin Headers Crimp Housings and Terminals



Description	Rows	Pitch (mm)	Positions	Pin Headers Part Number	Crimp Housing Part Number	Crimp Terminal for Housings
Right Angle Shrouded Pin Header	Dual	2	10	MP001740	MP001747	MP001752
			12	MP001741	MP001748	
			14	MP001742	MP001749	
			16	MP001743	MP001750	
			18	MP001744	MP001751	
Straight Shrouded Pin Header	Single		2	MP001753	MP001781	MP001837
			3	MP001754	MP001782	
			4	MP001755	MP001783	
			5	MP001756	MP001784	
			6	MP001757	MP001785	
			7	MP001758	MP001786	
			8	MP001759	MP001787	
			9	MP001760	MP001788	
			10	MP001761	MP001789	
			11	MP001762	MP001790	
Straight Shrouded Pin Header	Single	12	MP001763	MP001791		
		13	MP001764	MP001792		
		14	MP001765	MP001793		
		15	MP001766	MP001794		
		2	MP001767	MP001781		
		3	MP001768	MP001782		
		4	MP001769	MP001783		
Right Angle Shrouded Pin Header	Single	5	MP001770	MP001784		
		6	MP001771	MP001785		
		7	MP001772	MP001786		
		8	MP001773	MP001787		
		9	MP001774	MP001788		
Right Angle Shrouded Pin Header	Single	10	MP001775	MP001789		
		11	MP001776	MP001790		
		12	MP001777	MP001791		
		13	MP001778	MP001792		
		14	MP001779	MP001793		
		15	MP001780	MP001794		

Important Notice : This data sheet and its contents (the "Information") belong to the members of the AVNET group of companies (the "Group") or are licensed to it. No licence is granted for the use of it other than for information purposes in connection with the products to which it relates. No licence of any intellectual property rights is granted. The Information is subject to change without notice and replaces all data sheets previously supplied. The Information supplied is believed to be accurate but the Group assumes no responsibility for its accuracy or completeness, any error in or omission from it or for any use made of it. Users of this data sheet should check for themselves the Information and the suitability of the products for their purpose and not make any assumptions based on information included or omitted. Liability for loss or damage resulting from any reliance on the Information or use of it (including liability resulting from negligence or where the Group was aware of the possibility of such loss or damage arising) is excluded. This will not operate to limit or restrict the Group's liability for death or personal injury resulting from its negligence. Multicomp Pro is the registered trademark of Premier Farnell Limited 2019.

Newark.com/multicomp-pro
Farnell.com/multicomp-pro
Element14.com/multicomp-pro

