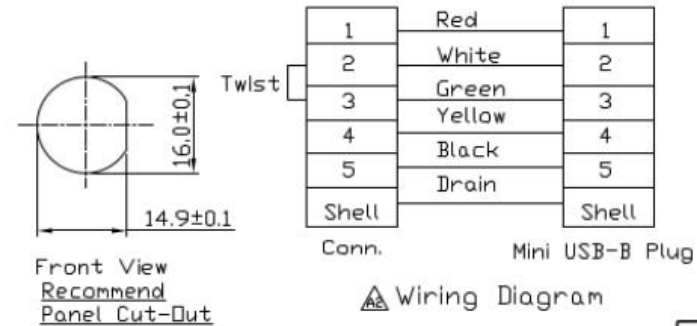
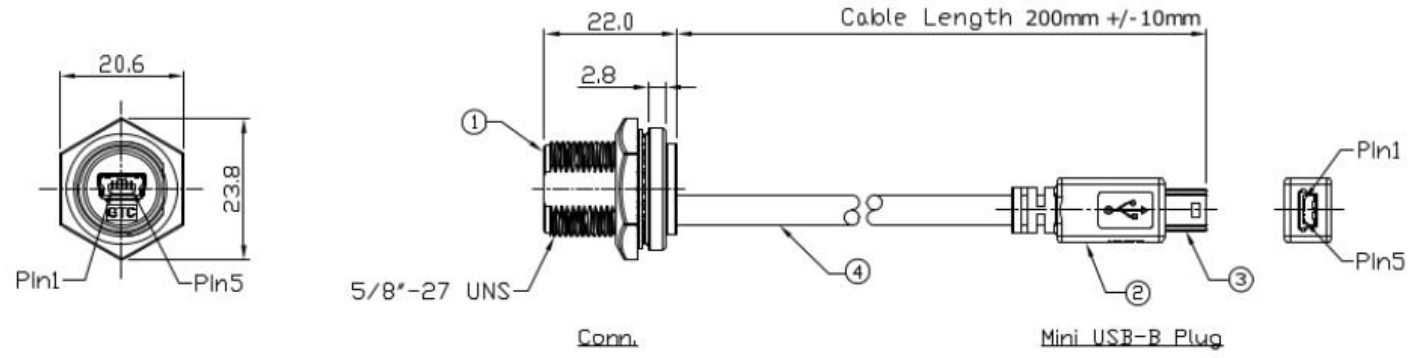




Notes: (Unless Otherwise Specified)

1. Waterproof Rate: IP68.
2. Recommend Panel Thickness: 0.8 to 8.0 mm.
3. Recommend Torque: 19~20 Kgf-cm.
4. Mating Cap P/N:125-7928
5. RoHS Compliant.

REV	ECN#	DESCRIPTION OF REVISION	DRAW BY DATE	CHECK BY DATE	APPROVE BY DATE
A0		Mass Production	Joyce 05/02/12	Lucas 05/02/12	Ray 05/02/12
A1	ECN-130208	Modify Panel Cut Out Direction	Joyce 02/19/13	Lucas 02/19/13	Ray 02/19/13
A2	ECN-141115	Change Cable Type Modify Wiring Diagram	Lucas 12/08/14	Lucas 12/08/14	Ray 12/08/14



Mating Part:  
122-3028

4	Cable	UL2725 1P*28AWG+3C*24AWG+Al/My+II+B Color: Black,ØI=5.0mm	1	
3	Mini USB-B Plug	Housing: Thermoplastic, Color: Black Contacts: Copper Alloy, Finish: Au Plated Shell: SPCU, Finish: Ni Plated	1	
2	Over Mold	PVC Color: Black	1	
1	Mini USB-B Metal C2 Panel Jack Screw With Cable		1	
Item	Part Name	Material / Finish	Qty	

TITLE						REV.			UNIT		SHEET	
Mini USB-B Metal C2 Panel Jack Screw With Cable + Mini USB-B Plug						A2			mm		1/1	
		B	1:1	Joyce 05/02/12	Lucas 05/02/12	Ray 05/02/12	XX ± 0.5 X.XX ± 0.2	X.XXX ± 0.05 ANGLES ± 1°	mm	1/1		
THIRD ANGLE PROJECTION		SIZE	SCALE	DRAW / DATE	CHECK / DATE	APPROVE / DATE	TOLERANCES		UNIT	SHEET		

RS Stock No  
122-3025