

## 3.96 mm Crimp Housing



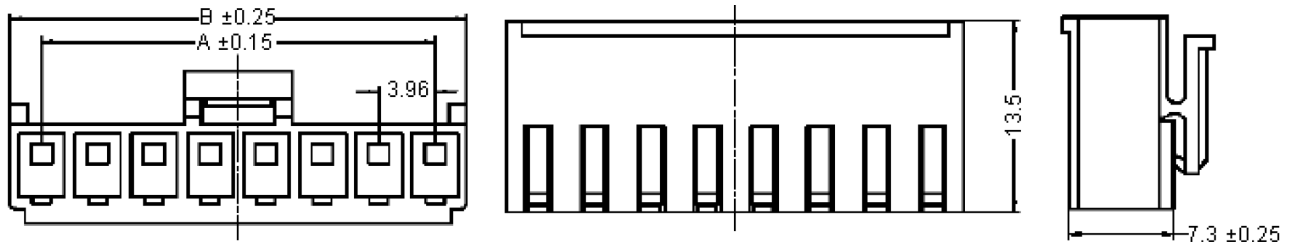
### Specifications

Current Rating	: 7A AC / DC
Voltage Rating	: 250V AC / DC
Max. Contact Resistance	: 10mΩ
Min. Insulation Resistance	: 1,000 MΩ
Withstanding Voltage	: 1,500V AC / minute
Operating Temperature Range	: -40°C to +105°C
Application Wires	: 18 to 22 AWG

### Material and Finish

Insulator	: Nylon 66
Insulator Colour	: White
Contact	: Brass
Finish	: Tin plated

### Diagram



Dimensions : Millimetres

## Accessories - Crimp Pin



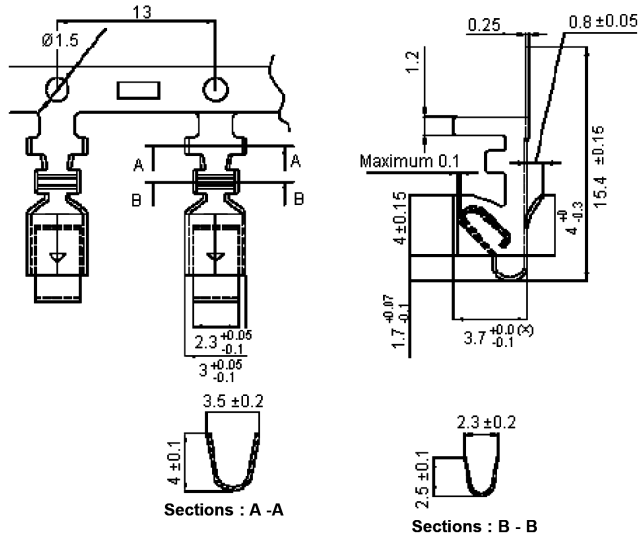
### Specifications

Current Rating	: 7A AC / DC
Voltage Rating	: 250V AC / DC
Max. Contact Resistance	: 20 mΩ
Min. Insulation Resistance	: 1,000 MΩ
Withstanding Voltage	: 1,500 V AC / minute
Temperature Range	: -25°C to +125°C
Application Wires	: 18 to 22 AWG

### Material

Contact	: Phosphor bronze or brass
Tin Plated	: 80 to 120µ inches tin over 20 to 40µ inches nickel

## Diagram



Dimensions : Millimetres

## Part Number Table

Description	A (mm)	B (mm)	Part Number
Crimp Housing, 3.96mm 2 Way	3.96	8.22	MC34493
Crimp Housing, 3.96mm 3 Way	7.92	12.18	MC34495
Crimp Housing, 3.96mm 4 Way	11.88	16.14	MC34497
Crimp Housing, 3.96mm 5 Way	15.84	20.1	MC34535
Crimp Housing, 3.96mm 6 Way	19.8	24.06	MC34499
Crimp Housing, 3.96mm 8 Way	27.72	31.98	MC34501
Crimp Housing, 3.96mm 10 Way	35.64	39.9	2114H-10
Crimp Housing, 3.96mm 12 Way	43.56	47.82	MC34537
Crimp Pin, 18 - 22 AWG	-	-	2114T

**Important Notice :** This data sheet and its contents (the "Information") belong to the members of the AVNET group of companies (the "Group") or are licensed to it. No licence is granted for the use of it other than for information purposes in connection with the products to which it relates. No licence of any intellectual property rights is granted. The Information is subject to change without notice and replaces all data sheets previously supplied. The Information supplied is believed to be accurate but the Group assumes no responsibility for its accuracy or completeness, any error in or omission from it or for any use made of it. Users of this data sheet should check for themselves the Information and the suitability of the products for their purpose and not make any assumptions based on information included or omitted. Liability for loss or damage resulting from any reliance on the Information or use of it (including liability resulting from negligence or where the Group was aware of the possibility of such loss or damage arising) is excluded. This will not operate to limit or restrict the Group's liability for death or personal injury resulting from its negligence. Multicomp Pro is the registered trademark of Premier Farnell Limited 2019.