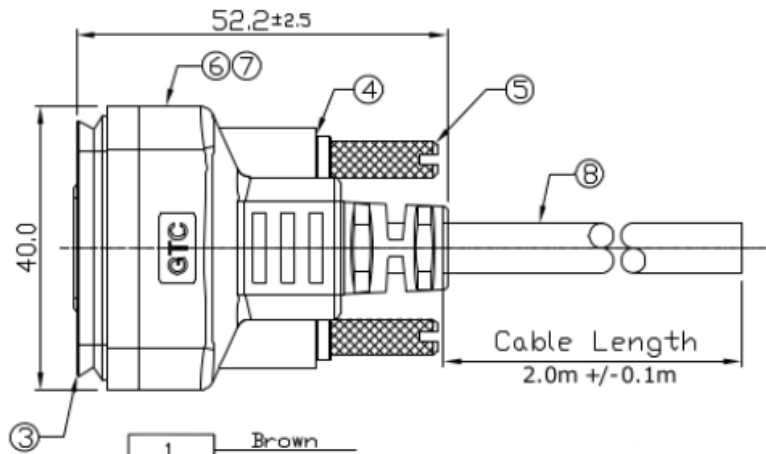
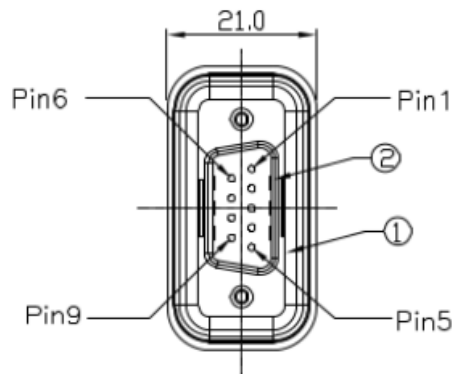




Notes: (Unless Otherwise Specified)  
 1. Waterproof Rate: IP67.  
 2. RoHS Compliant

REV	ECN#	DESCRIPTION OF REVISION	DRAW BY DATE	CHECK BY DATE	APPROVE BY DATE
A0		Mass Production	Vicky 08/11/10	Ray 08/11/10	Ray 08/11/10
A1	ECN-110103	Marked	Vicky 01/24/11	Ray 01/24/11	Ray 01/24/11



Callout	Color
1	Brown
2	Blue
3	Green
4	Orange
5	Yellow
6	Gray
7	Violet
8	Red
9	Black
Shell	Drain

Wiring Diagram

Mating Part:  
122-3035

Item	Part Name	Material / Finish	Qty
8	Cable	UL2464 24AWG9C+Al/Ny+D Color: Black, OD=6.0mm	1
7	Over Mold	PVC Color: Black	1
6	Inner Mold	Thermoplastic Color: White	1
5	Machine Screw	Stainless Finish: Non	2
4	Gasket	EPDM Color: Black	2
3	Rubber Pad	EPDM Color: Black	1
2	D-SUB 5A 9P Male	Housing: Thermoplastic, Color: Black Contacts: Copper Alloy, Finish: Au Plated Shell: Cold Roll Steel, Finish: Ni Mate	1
1	Housing	Thermoplastic Color: Black	1

TITLE						REV.	
D-Sub 5A 9P Cable End Male						A1	
	B	1:1	Vicky 08/11/10	Ray 08/11/10	Ray 08/11/10	XX ± 0.5 X,XX ± 0.2	X,XXX ± 0.05 ANGLES ± 1°
THIRD ANGLE PROJECTION	SIZE	SCALE	DRAW / DATE	CHECK / DATE	APPROVE / DATE	TOLERANCES	UNIT SHEET

RS Stock No 122-3040
-------------------------