

FEATURES

- Rated currents up to 20A
- General purpose filtering performance
- The compact size can be applied to various situations.
- YB12 filters are also available as two-stage filters(YB35) in noisy environment

RS PRO 10A 250 V ac, Chassis Mount Power Line Filter - 2 Phase

RS Stock No.: 237-8699,2378700



RS Professionally Approved Products bring to you professional quality parts across all product categories. Our product range has been tested by engineers and provides a comparable quality to the leading brands without paying a premium price.

Product Description

- Electrical and electronic equipment
- Medical equipment
- Datacom equipment
- Office automation equipment

General Specifications

The compact size can be applied to various situations. YB12 filters are also available as two-stage filters (YB35) in noisy environment. There are a variety of parts and combinations to meet different customer's EMC tests. Customized products according to customer's requirements.

Mechanical Specifications

<i>size</i>	44X50X30mm (L X W X H)
<i>weight</i>	0.134kgs

Electrical Specifications

Rated Voltage Max.	115/250VAC,
Operating frequency	50/60Hz
Rated currents	10A
Hipot Rating	L-N 500VDC, L/N-G 2250VDC

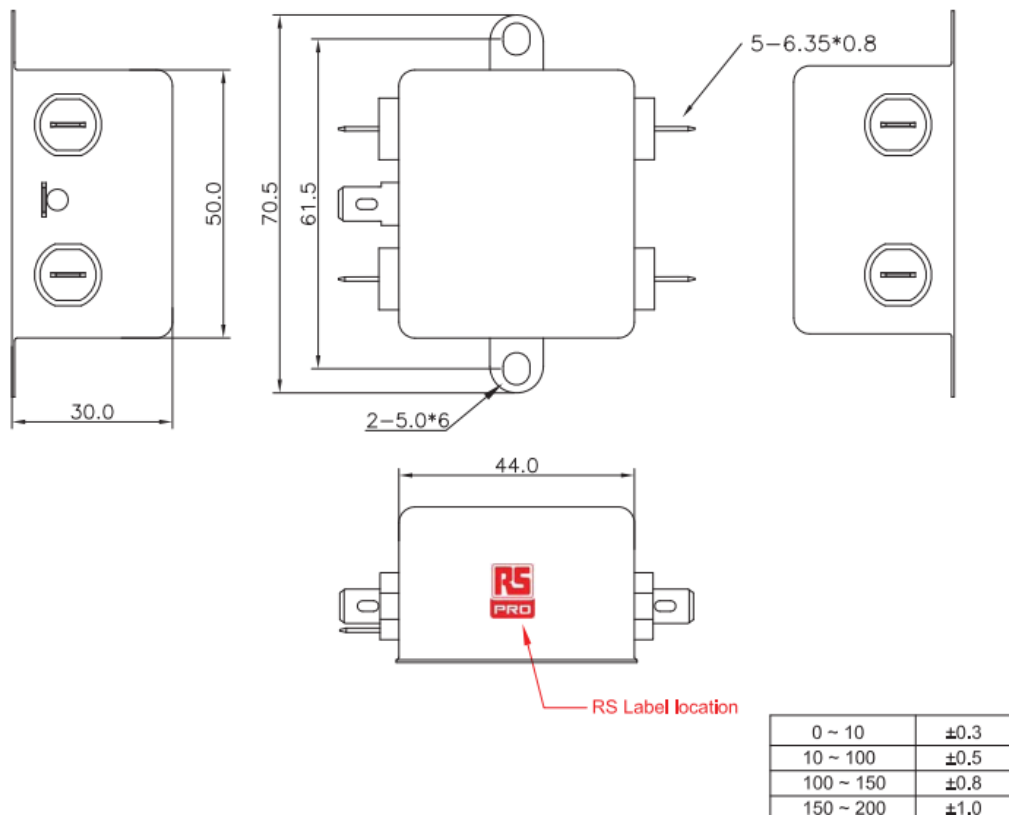
Protection Category

according to IEC 60529 IP40

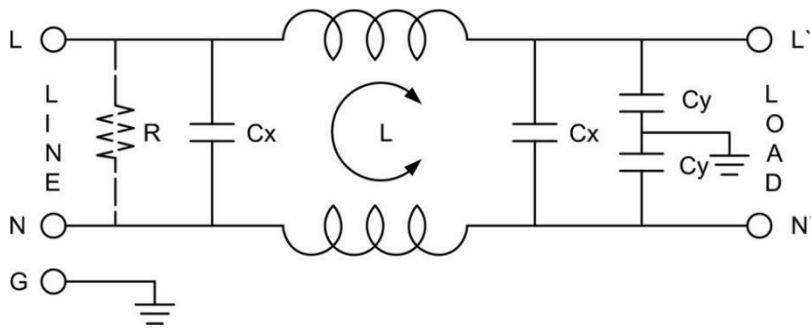
Approvals

Declarations	UL;TUV;CE,CQC;
Standards Met	UL1283, CSA C22.2 No.8; IEC/EN 60939;; CQC GB 15288/GB 15287-2008

Physical Dimensions:



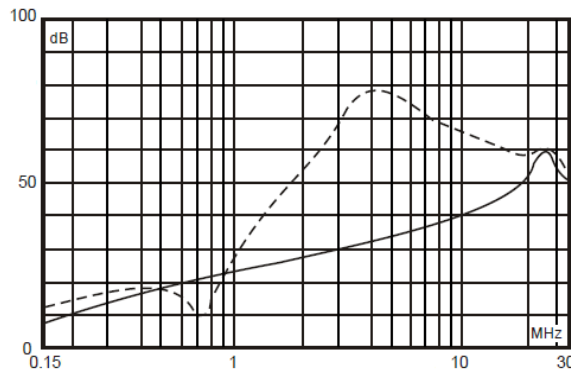
Electrical Schematic:



Insertion loss table(In 50ohm system according IEC/CISPR No.17)

———— Common mode - - - - - Differential mode

10A



packaging

