

## Datasheet

# RS PRO Shielded Power Inductors


**Features:**

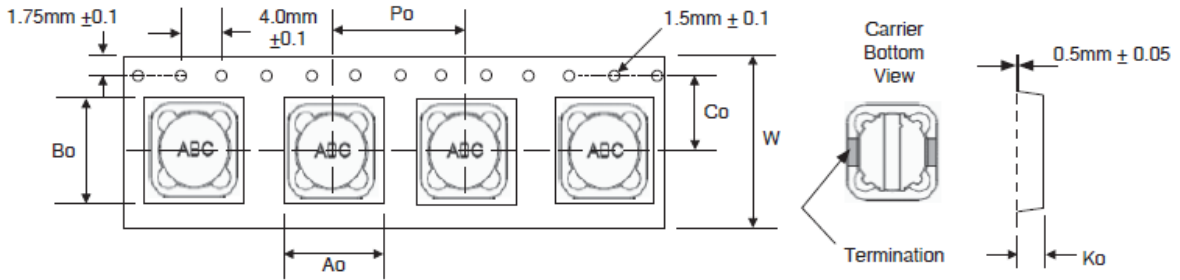
- Shielded power inductor
- High current (up to 12A)
- Surface mountable construction
- High inductance (up to 1000 $\mu$ H)
- Taped and reeled for automatic insertion
- For use in DC/DC converters

| Stock no. | Standard Values – Case size 25 (12.5 x 12.5 x 6.0) |                 |                            |                             |
|-----------|--|-----------------|----------------------------|-----------------------------|
|           | Inductance Value ( $\mu$ H)                        | Test Conditions | DC Resistance ( $\Omega$ ) | DC Current Isat/Irms (Amps) |
| 741-8852  | 12 $\pm$ 20%                                       | 1k, 0.3V        | 0.027                      | 3.5                         |
| 741-8855  | 15 $\pm$ 20%                                       | 1k, 0.3V        | 0.03                       | 3.3                         |
| 741-8962  | 22 $\pm$ 20%                                       | 1k, 0.3V        | 0.036                      | 2.8                         |
| 741-8865  | 33 $\pm$ 20%                                       | 1k, 0.3V        | 0.057                      | 2.1                         |
| 741-8877  | 47 $\pm$ 20%                                       | 1k, 0.3V        | 0.075                      | 1.8                         |
| 741-8871  | 56 $\pm$ 20%                                       | 1k, 0.3V        | 0.11                       | 1.7                         |
| 741-8880  | 68 $\pm$ 20%                                       | 1k, 0.3V        | 0.12                       | 1.5                         |
| 741-8883  | 82 $\pm$ 20%                                       | 1k, 0.3V        | 0.14                       | 1.4                         |
| 741-8887  | 100 $\pm$ 20%                                      | 1k, 0.3V        | 0.16                       | 1.3                         |
| 741-8893  | 180 $\pm$ 20%                                      | 1k, 0.3V        | 0.29                       | 0.9                         |
| 741-8903  | 220 $\pm$ 20%                                      | 1k, 0.3V        | 0.4                        | 0.8                         |
| 741-8919  | 390 $\pm$ 20%                                      | 1k, 0.3V        | 0.69                       | 0.65                        |
| 741-8928  | 820 $\pm$ 20%                                      | 1k, 0.3V        | 1.34                       | 0.43                        |
| 741-8922  | 1000 $\pm$ 20%                                     | 1k, 0.3V        | 1.53                       | 0.40                        |

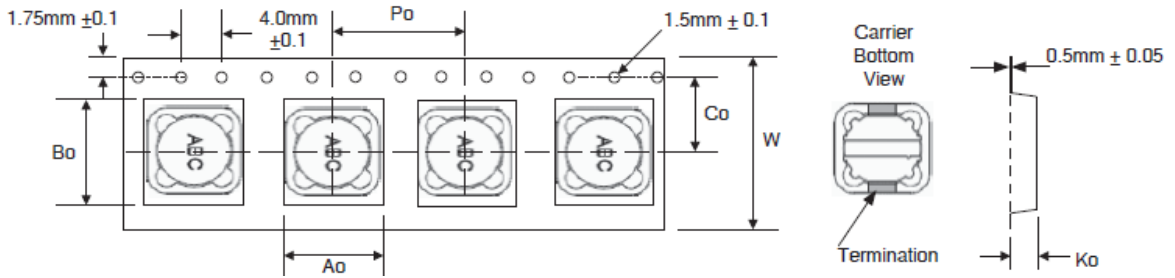
| Stock no. | Standard Values – Case size 27 (12.5 x 12.5 x 8.0) |                 |                   |                             |
|-----------|--|-----------------|-------------------|-----------------------------|
|           | Inductance Value (μH)                              | Test Conditions | DC Resistance (Ω) | DC Current Isat/Irms (Amps) |
| 741-8953  | 10 ± 20%   | 1k, 0.3V        | 0.0216            | 5.4                         |
| 741-8950  | 15 ± 20%   | 1k, 0.3V        | 0.027             | 4.5                         |
| 741-8962  | 22 ± 20%   | 1k, 0.3V        | 0.0432            | 3.6                         |
| 741-8975  | 33 ± 20%   | 1k, 0.3V        | 0.0648            | 3                           |
| 741-8978  | 39 ± 20%   | 1k, 0.3V        | 0.0729            | 2.75                        |
| 741-8972  | 47 ± 20%   | 1k, 0.3V        | 0.1               | 2.5                         |
| 741-8984  | 68 ± 20%   | 1k, 0.3V        | 0.14              | 2.1                         |
| 741-8997  | 100 ± 20%  | 1k, 0.3V        | 0.22              | 1.7                         |
| 741-8994  | 150 ± 20%  | 1k, 0.3V        | 0.027             | 4.5                         |
| 741-9007  | 180 ± 20%  | 1k, 0.3V        | 0.0392            | 3.9                         |
| 741-9000  | 220 ± 20%  | 1k, 0.3V        | 0.39              | 1.16                        |
| 741-9016  | 330 ± 20%  | 1k, 0.3V        | 0.64              | 0.95                        |
| 741-9029  | 470 ± 20%  | 1k, 0.3V        | 0.98              | 0.79                        |
| 741-9026  | 680 ± 20%  | 1k, 0.3V        | 1.46              | 0.67                        |
| 741-9035  | 820 ± 20%  | 1k, 0.3V        | 1.64              | 0.6                         |
| 741-9038  | 1000 ± 20%   | 1k, 0.3V        | 1.82              | 0.55                        |

| Case Size | Taping Dimensions (mm) |      |     |      |    |      |
|-----------|------------------------|------|-----|------|----|------|
|           | Ao                     | Bo   | Ko  | Co   | W  | Po   |
| 25        | 12.9                   | 12.9 | 6.2 | 11.5 | 24 | 16.0 |
| 27        |                        |      | 8.2 |      |    |      |

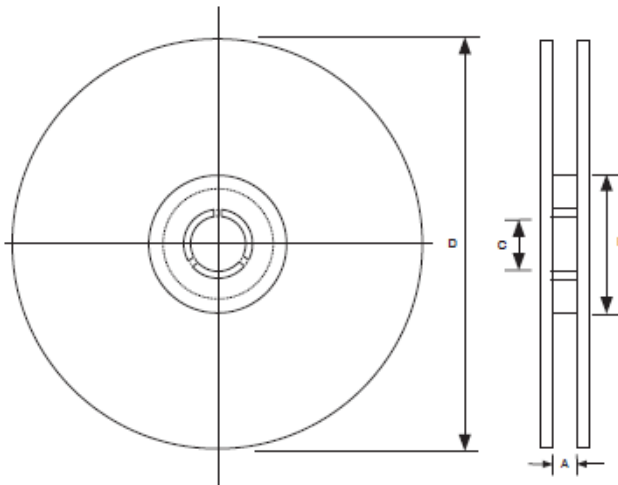
**STANDARD COMPONENT ORIENTATION ON TAPE (TRF)**



**OPTIONAL COMPONENT ORIENTATION ON TAPE (TRIF)**



| Tape Width | Reel Dimensions (mm) |           |          |        |
|------------|----------------------|-----------|----------|--------|
|            | A (mm)               | B (mm)    | C (mm)   | D (mm) |
| 24mm       | 24.5 ± 0.1           | 100 ± 2.0 | 13 ± 0.5 | 330    |



| Size              | Reel quantity per case size |     |
|-------------------|-----------------------------|-----|
|                   | 25                          | 27  |
| Quantity per reel | 600                         | 400 |
| Tape Width        | 24mm                        |     |