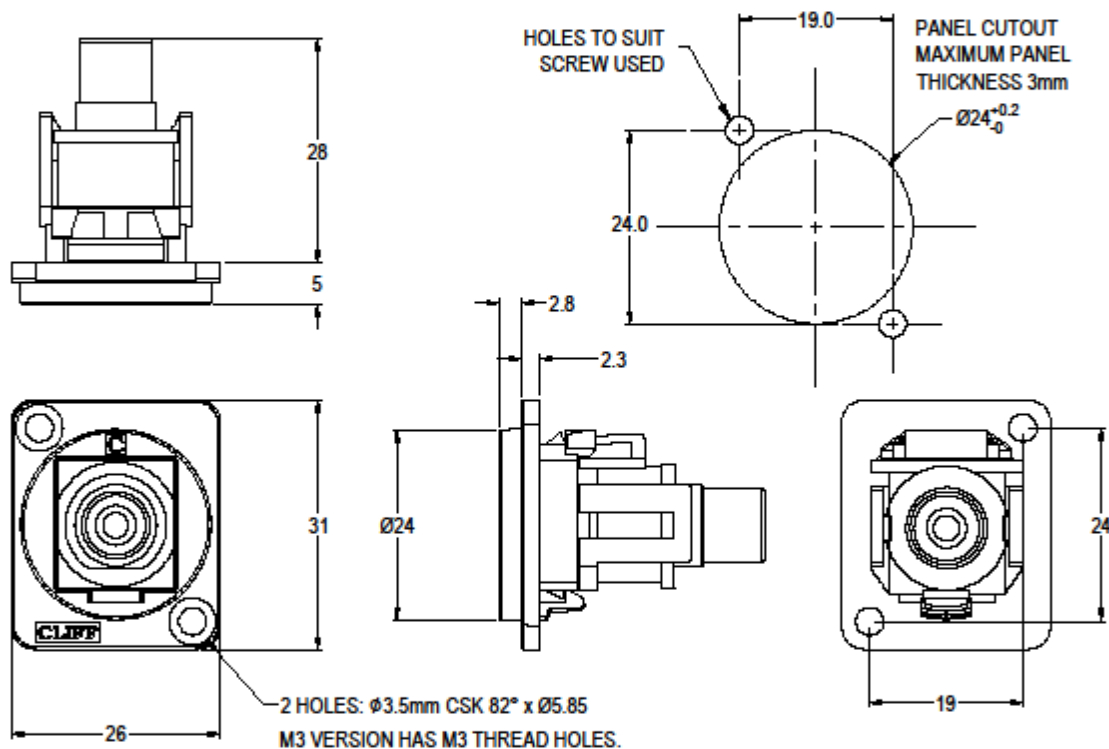


Datasheet

# RS PRO RCA PHONO YELLOW METAL M3 FT CONNECTOR

Stock No:2035605, 2035606



- Material:
- 1.Contacts: gold plating over nickel
  - 2.Frame: Nickel or black plated zinc diecast

## Features & Benefits:

- Fits standard XLR Ø24mm cutout.
- No soldering or punch termination. Use standard cable for each connector style.
- Front or rear mounted.
- Low rear profile

## General:

Please note: Functionality is affected by cable quality, length and cable wiring configuration.

## Other models available:

### Part No.

- |                |   |
|----------------|---|
| <b>8987621</b> | RCA Phono Yellow Black plastic frame, CSK holes       |
| <b>9075674</b> | RCA Phono Yellow Nickel plated metal frame, CSK holes |
| <b>8987630</b> | RCA Phono Yellow Black plastic frame, PLAIN holes     |



[rspro.com](http://rspro.com)

