

FEATURES

- Compact Mounting
- High Performance
- Single Phase Input
- Reliable
- Led Indicators

RS PRO DIN Rail Power Supply - 230V ac Input Voltage, 12V dc Output Voltage, 4.2A Output Current, 50W

RS Stock No.: 136-8309



RS Professionally Approved Products bring to you professional quality parts across all product categories. Our product range has been tested by engineers and provides a comparable quality to the leading brands without paying a premium price.

Product Description

From RS Pro a range of high-performance power supplies in a compact 35mm DIN rail mounting package for convenience and space saving. These DIN rail mount power supplies are available with a range of power ratings from 15W to 240W and accept single-phase AC input for conversion into a single DC output of either 12V, 15V, 24V or 48V DC.

General Specifications

Type	Switch Mode
AC or DC Input Voltage	230V ac
AC or DC Output Voltage	12 V dc
Number of Outputs	1
Special Features	Compact Size, Cooling by Free Air Convection, LED Indicator for DC Low, LED Indicator for DC Power On, 3-Years Warranty, 100% Full Load Burn-In Tes
Mounting Type	DIN Rail, Vertical Mount
Short Circuit Protection	Yes
Over Voltage Protection	Yes
Indication of Output Voltage	LED, continuous green light
Applications	Sensors, Transmitters/receivers, Analyzers, PLCs Motors, Actuators, Solenoids, Relays

Electrical Specifications

RS Stock#	Input Voltage	Output Voltage	Output Current	Output Wattage	Efficiency (Typ)
136-8309	100VAC-240VAC	+ 12VDC	4.2A	50W	80%
136-8310	100VAC-240VAC	+ 24VDC	2.2A	50W	83%
136-8311	100VAC-240VAC	+ 48VDC	1.1A	50W	84%

Input Specifications		
Input Electrical Phase	Single	
Input current	0.52A /230VAC	
Line Frequency	47 to 63Hz	
Inrush current at 25°C 230V	60A	
Efficiency (Typ.)	80%	
Output Specifications		
Output Voltage Adjustment	11.6VDC-12.3VDC	
Ripple and Noise	25mV	
Hold Up Time	20ms/115VAC	
Line Regulation	1%	
Load Regulation	1%	
Voltage Isolation	Input-Output	3000VAC
	Input-Ground	1500VAC
	Output-Ground	1500VAC
Surge Voltage	2kV	
MTBF	200Khrs	

Mechanical Specifications

Height	130mm
Depth	125mm
Width	30mm
Weight	570g
Dimensions	30mm x 130mm x 125mm

Operation Environment Specifications

Operating Humidity	20% to 95% RH
Operating Temperature Range	-20 to 70°C
Storage Temperature Range	-40 to 85°C
Cooling	Free Air convection

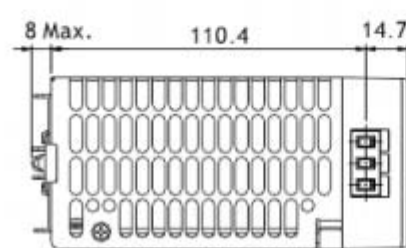
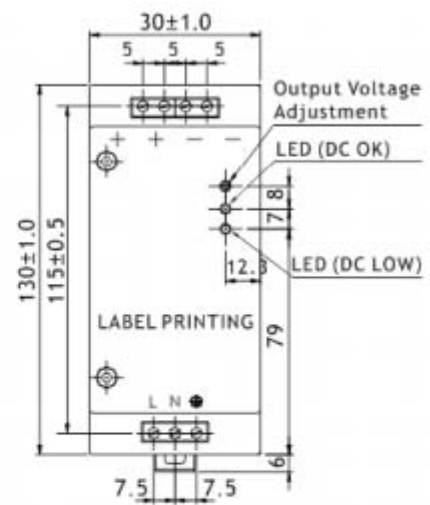
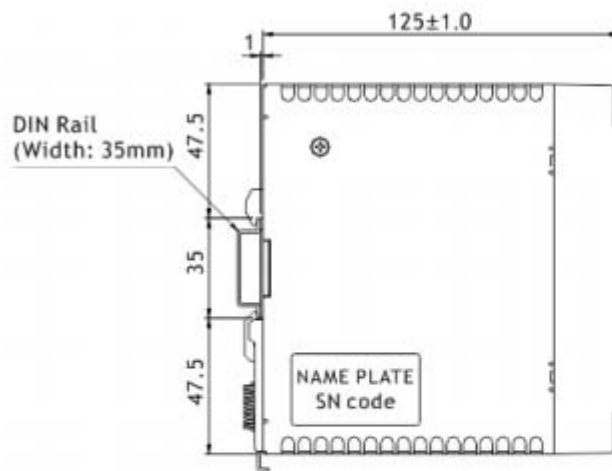
Approvals

Standards Met	CB, CE, CUL, CULus Recognised, FCC, UL
---------------	--



Stock Number	Nominal Input Voltage	Output Voltage	Output Current	Ripple (Typ.)	Efficiency (Typ.)	Certificate
136-8309	100-240VAC	12V	4.2A	25mV	80%	CE, FCC, CB, UL, CUL
136-8310	100-240VAC	24V	2.2A	40mV	83%	CE, FCC, CB, UL, CUL
136-8311	100-240VAC	48V	1.1A	45mV	84%	CE, FCC, CB, UL, CUL

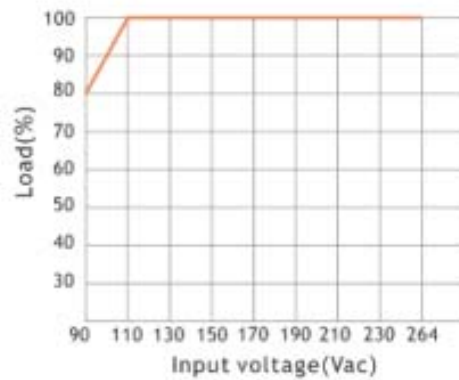
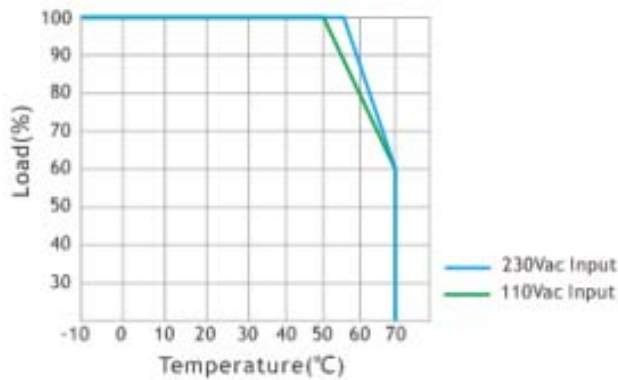
Mechanical



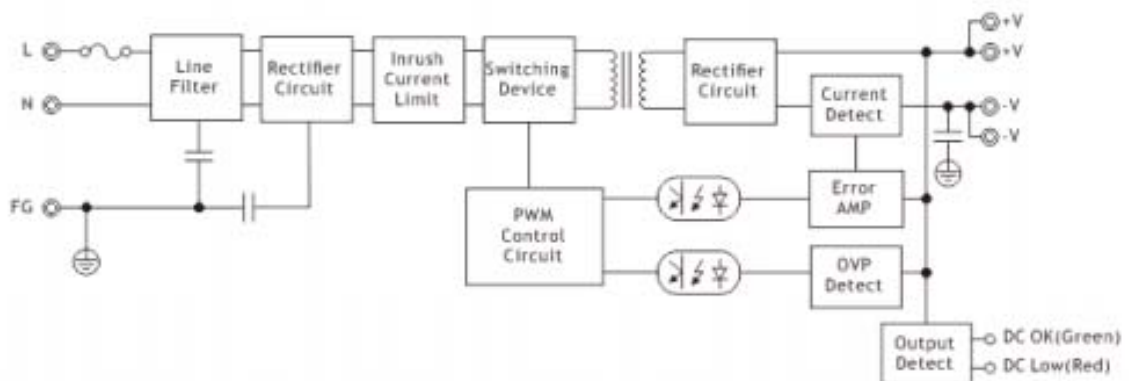


Marking	No.	Assignment
+	1	DC(+) Output Terminal
+	2	
-	3	DC(-) Output Terminal
-	4	
L	5	AC(L) Input Terminal
N	6	AC(N) Input Terminal
	7	AC Grounding Terminal
V-ADJ.	/	DC Output voltage adjustment trimmer
DC OK	/	DC Output OK indication LED(Green)
DC LOW	/	DC Output Low indication LED(Red)

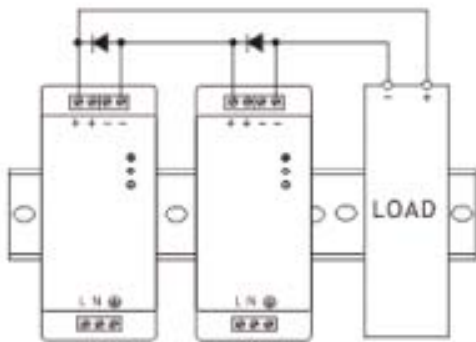
Electrical Curve



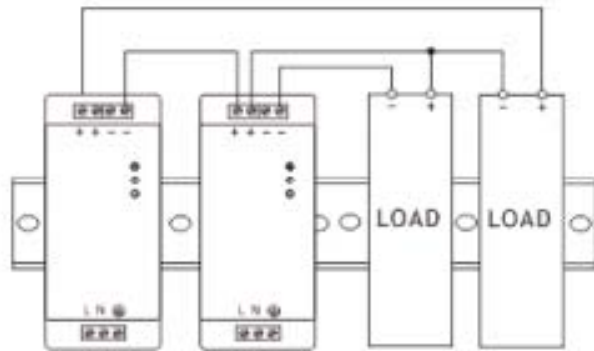
Block Diagram



Series Operation

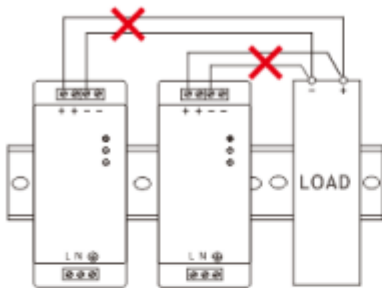


Series Operation A

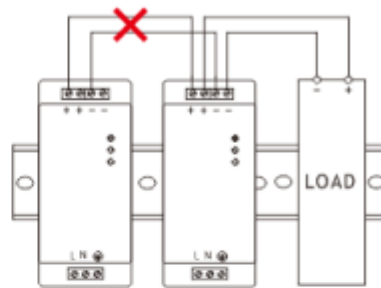


Series Operation B

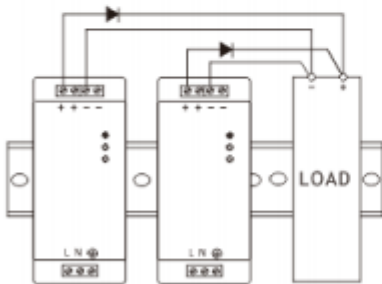
Parallel Operation



Parallel Operation A
(Unable to use)



Parallel Operation B
(Unable to use)



Parallel Operation C
(Backup)

Mounting Method

