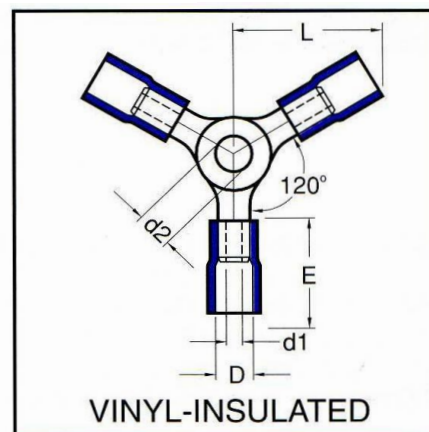


Datasheet

**RS Pro Insulated Crimp Ring Terminal, #8, 4 mm Stud Size, 0.5mm<sup>2</sup> to 1.5mm<sup>2</sup>, 22AWG to 16AWG, Red**  
 RS Stock No: **510-4955**



**Features and Benefits**

- 3- and 4-way disconnects
- Multi-way crimping
- Accommodates wire size of 22 to 16 AWG

**Specifications:**

Colour	Red
Contact Material	Copper
Inner Ring Diameter	1.7 mm
Insulation Material	Vinyl
Insulation	Insulated
Maximum Wire Size (AWG)	16 AWG
Maximum Wire Size (mm <sup>2</sup> )	1.5 mm <sup>2</sup>



ENGLISH

Minimum Wire Size (AWG)	22 AWG
Minimum Wire Size (mm <sup>2</sup> )	0.5 mm <sup>2</sup>
Outer Ring Diameter	4 mm
Overall Length	34 mm
Shrouded	Shrouded
Stud Size	#8
Wire Size	22 to 16 AWG