

RANGE OVERVIEW

- Suitable for circuit connection, multistep, changeover, switching on and off as well as motor starting.
- IEC 16...20A conventional free air thermal current Ith ratings.
- Black handle with legend marking or padlockable red-yellow handle.
- Direct (positive) opening action; safety function according to IEC/EN 60947-5-1.
- Extended mechanical and electrical life.

RS PRO Cam Switch 7 positions 45° voltmeter switch L3L1-L2L3-L1L2-0- L1N-L2N-L3N, 690V, 20A, black handle

RS Stock No.: 2083916



RS Professionally Approved Products bring to you professional quality parts across all product categories. Our product range has been tested by engineers and provides a comparable quality to the leading brands without paying a premium price.

Product Description

7 positions 45° voltmeter switch L3L1-L2L3-L1L2-0-L1N-L2N-L3N, 690V, 20A, black handle.

The RS PRO Voltmeter Switches are used for 3 phase-phase voltage readings and 3 phase-neutral voltage readings.

The black handle is not lockable.

General Specifications

| | |
|------------------------------|--|
| Number of poles | - |
| Number of positions | 7 |
| Front plate dimension | 48x48 mm |
| Legend marking | L3L1-L2L3-L1L2-0-L1N-L2N-L3N |
| Angle | 45° |
| Type of fixing | Door panel mounting with 4 screws fixing |
| Operating temperature | -25°C ... +55°C |
| Storage temperature | -25°C ... +55°C |

Mechanical Specifications

| | |
|--------------------------------|--------------------------|
| Mechanical life | 5x10 ⁶ |
| Terminal screws | M3 |
| Tightening torque | 0,5 Nm |
| Conductor cross section | 2,5/2,5 (rigid/flexible) |

Electrical Specifications

| | |
|---|-----------|
| Rated insulation voltage U_i | 690V |
| Rated impulse withstand voltage U_{imp} | 6 kV |
| Conventional free air thermal current I_{th} | 20A |
| Rated operating voltage U_e | 690V |
| Short-time withstand current I_{cw} | 250A – 1s |

RS PRO Cam Switches



| | |
|--|-------------------------------------|
| Rated operational current I_e | 20A AC1/AC21 |
| Motor power for switches in AC utilisation categories | 5,5kW - 3ph, 400V, AC3 |
| Motor power for direct-on-line control (UL/CSA-DOL) | 3HP – 3ph, 240V |
| Motor power for switches in DC utilisation categories | 20A - 48V, DC23 (2 series contacts) |
| Power dissipation | 1,2 W/pole |

Protection Category

| | |
|-----------------------------------|------|
| Frontal protection degree | IP20 |
| Terminal protection degree | IP00 |

Additional Information

| | |
|-----------------------------|----------|
| Custom Tariff Number | 85365080 |
|-----------------------------|----------|

Classification

| | |
|-------------|----------|
| ETIM | EC001029 |
|-------------|----------|

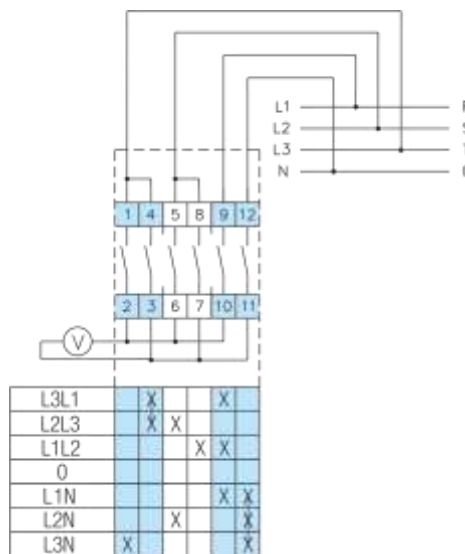
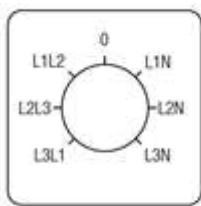
Approvals

| | |
|----------------------|------------------------------|
| Standards Met | IEC60947, UL508, C22.2 No.14 |
|----------------------|------------------------------|

Similar Products

| Stock No. | Brand | Product Name | Nr of positions | Legend marking |
|-----------|--------|--|-----------------|------------------|
| GN2067U | RS PRO | 4 positions 45° voltmeter switch 0-L1L2-L2L3-L3L1, 690V, 20A, black handle | 4 | 0-L1L2-L2L3-L3L1 |

Wiring Diagram



Dimensions (mm)

