



ENGLISH

Datasheet

# RS Pro PC Holder, Silver

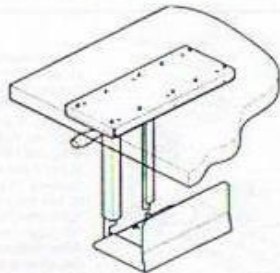
RS Stock No: 144-5955

17.03.1130



## Specifications

### CPU Holder



#### Before starting Assembly

Please spend a short time reading this manual then follow the simple step by step guide to assembly. Some panels are viewed differently from the exploded drawing below, this is for extra clarity.

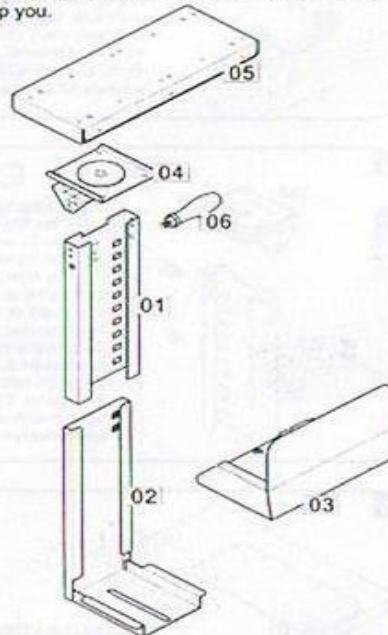
Do not discard any of the packaging until you have checked all the parts and the pack of fittings. If you are missing any of the parts, contact store where you purchased. The staff will do their best to help you.

#### Parts Check-List

Code	Component	Qty
01	Top Bracket	1
02	Bottom Bracket	1
03	Holder	1
04	Slider	1
05	Slide Support	1
06	Handle	1

#### Fitting Check-List

Code	Description	Qty
07	Screw	10
08	Bolt	4
09	Screw	4
10	Nut	1
11	Spacer	1
12	Washer	1
13	Knob	1
14	Round Foam Pad	1set
15	Foam Pad	4
16	Thick Pad	2



#### Tools Check-List


Allen Key

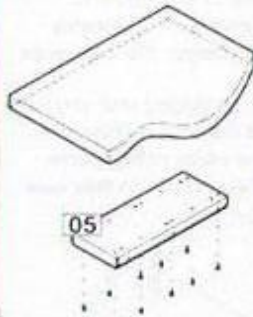


#### Caution:


Regular cleaning with a clean dry cloth is usually sufficient, but for stubborn marks, wipe over gently with a clean damp cloth. Never use strong detergents or abrasive cleaners as these may damage the surface finish of your furniture. There are many small components used in the construction of this unit. These loose items should be kept away from young children while assembling your unit.

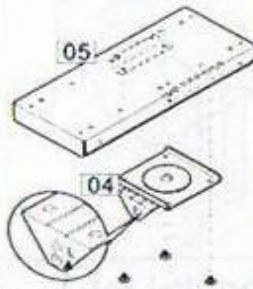
## Assembly Guide

**1** 07  x10





Fit slide support 05 to the underside of your computer desk ensuring it is approximately 15mm back from the front edge, and far enough away from the sides of the desk to enable the CPU to fit under the desk. Using a bradawl mark the screw positions, and secure firmly with screws 07 as shown.

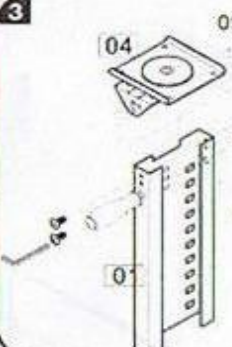
**2** 08  x4






Before assembling, please make sure the position you want to set up (right or left). If you like to set it up in the left side, turn the "L" sign of the slider 04 onward. If you want to set it up in the right side, turn the "R" sign onward. After making sure the direction, secure slider 04 to the underside of slide support 05 with bolts 08.

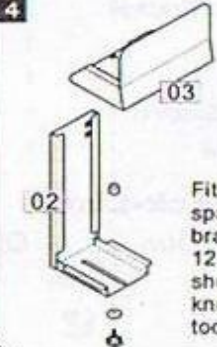
Left side

**3** 04 09  x4 10  x1



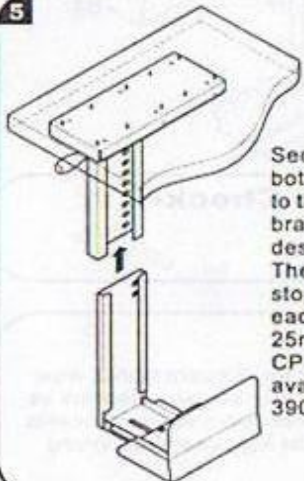
Secure the handle 06 to the top bracket 01 with nut 10. The handle 06 may be fitted to suit left or right hand side to suit left or right handed use. Secure the top bracket 01 to the slider 04 with screws 09. Fully tighten with allen key provided.

**4** 11  x1  
12  x1  
13  x1



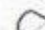


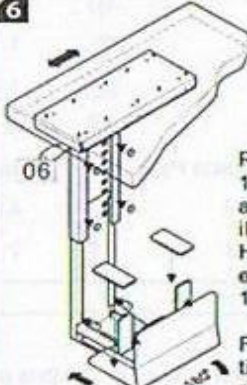
Fit the holder 03, spacer 11, bottom bracket 02, washer 12 together as shown using the knob 13. Do not fix too tightly.

**5**



Secure the fitted bottom bracket to the top bracket to desired height. There are 7 stops in total; each pitch is 25mm. CPU height is available from 390mm-540mm.

**6** 14  x1set  
15  x4  
16  x2



Remove pads cover 14, 15 & 16 and adhere to the places illustrated. Holder width extends from 134mm-234mm. Fix the knob 13 tightly after adjusting the width. And you can using the handle 06 to sliding and swivel the main structure.



# CS-11

