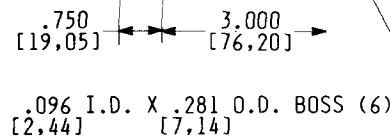
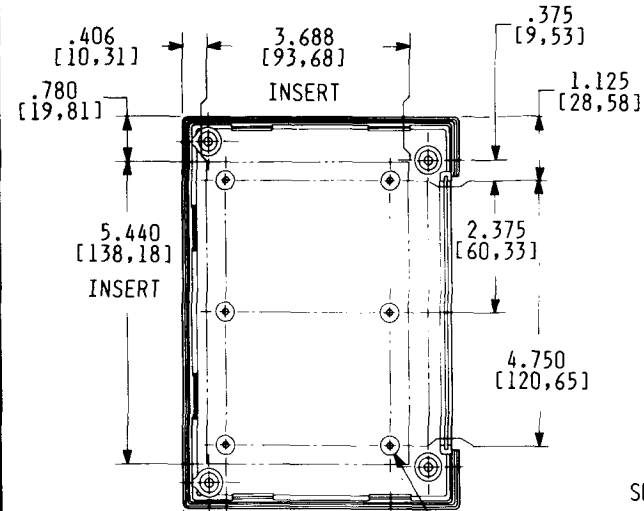


ALUMINUM PANELS AND PANEL MOUNTING HARDWARE ARE INCLUDED IN THE PROTOTYPE KIT ONLY.

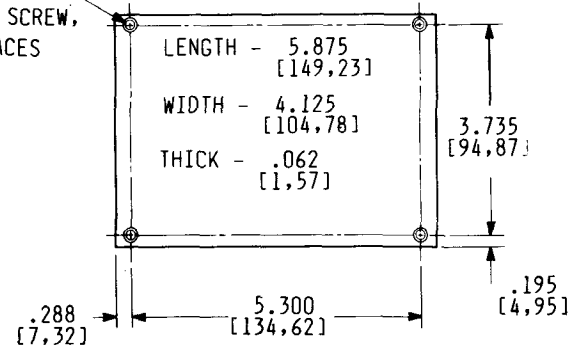
KEYBOARD ENCLOSURE TOP AND BOTTOM COVERS ARE MOLDED IN A MEDIUM IMPACT ABS PLASTIC.

62843
11-3-86



SECTION B-B

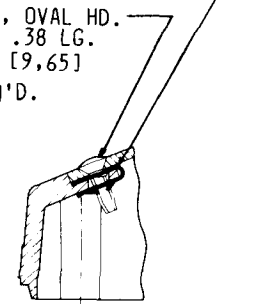
COUNTERSINK FOR #4 SCREW, 4 PLACES



PANEL, BLANK
KEYBOARD
61816-01

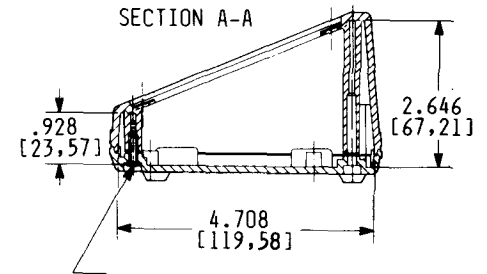
TINNERMAN FASTENER (4Z)
P/N 61691-01
4 REQ'D.

SCREW, OVAL HD.
#4B X .38 LG.
[9,65]
4 REQ'D.



PANEL FASTENERS

SECTION A-A



STANDARD SCREWS

#4B X 1.00 LG. [25,40] P/N 60227-01 (2 PLACES) FRONT

#4B X 1.50 LG. [38,10] P/N 60227-02 (2 PLACES) REAR

OPTIONAL HARDWARE

#4-40 INSERTS INSTALLED IN TOP COVER (4 PLACES)

SCREWS #4-40 X .38 LG. (4 REQ'D) [9,65]

CONSULT FACTORY FOR ENGINEERING ASSISTANCE

KEU-7
USERS DIAGRAM