

**DH Series**  
**Single-Acting**  
 Hollow Plunger Cylinder  
 Spring return

**Capacity:**  
 13-95 ton

**Stroke:**  
 8-155 mm

**Center Hole Diameter:**  
 19.6-79.0 mm

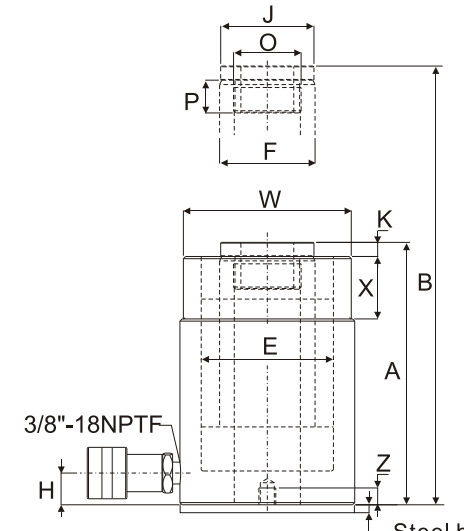
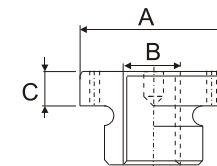
**Maximum Operating Pressure:**  
 700 bar

**DH Single-Acting, Hollow Plunger Cylinders**

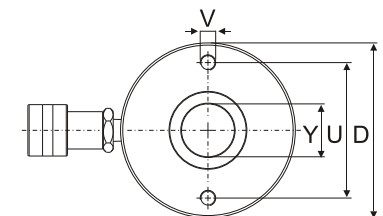
- Hollow plunger design allows for both pull and push forces.
- Low profile and longer strokes fit in the tightest space.
- Withstands full "dead-end" loads.
- Collar threads for easy fixturing and all collar threads have a cap for protection.
- Special center tube protect plunger and inner of cylinder increases product life.
- Hard chrome plated plunger and inner of barrel resists wear and corrosion.
- Spring returning.
- Wiper rings protect the piston, bore & tube from contamination.
- Stop ring for piston blow-out protection.
- Powder coat finish for increased corrosion resistance and antirust.
- DQC-3/8UF coupler and dust cap are included on all models.



DH-120 includes DQB-3/8UF coupler and has 1/4 NPTF port.



Steel baseplate :  
 12ton serial : 8mm  
 20~30ton serial : 10mm  
 60ton serial : 12mm  
 100ton serial : 16mm

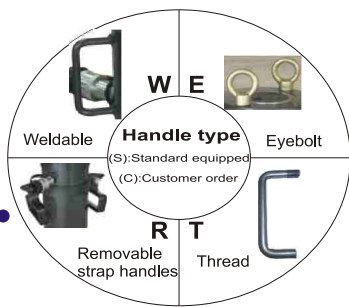


Cylinder Model/Cap. (ton)	Model No.	Saddle Dimensions		
		A (mm)	B (in)	C (mm)
DH-202,206	<b>DXKHCH-20</b>	53	1"-8	9
DH-302,306	<b>DXKHCH-30</b>	63	1-1/4"-7	9
DH-603,606	<b>DXKHCH-60</b>	91	1-5/8"-5-1/2	12
DH-1003	<b>DXKHCH-100</b>	126	2-1/2"-8	13

※Smooth hollow saddles are standard on all DH series.  
 (12ton models are not equipped with saddles.)

This drawing show the base mounting holes of barrel before setting steel base plate.

Cyl. Base to Advance Port	Saddle Diam.	Saddle Protr. from Plngr.	Plunger Internal Thread	Plunger Thread Length	Collar Thread	Collar Thread Length	Center Hole Diam.	Base Mounting Holes			Weight
								Bolt Circle	Thread	Thread Depth	
H (mm)	J (mm)	K (mm)	O (in)	P (mm)	W (in)	X (mm)	Y (mm)	U (mm)	V (in)	Z (mm)	(kg)
9	—	—	3/4"-16UN	16	2 3/4"-16	30	19.6	50.8	5/16"-18UNC	9.0	1.70
19	—	—	—	—	2 3/4"-16	30	19.6	50.8	5/16"-18UNC	9.0	3.00
19	—	—	3/4"-16UN	16	2 3/4"-16	30	19.6	50.8	5/16"-18UNC	9.0	3.00
19	—	—	—	—	2 3/4"-16	30	19.6	50.8	5/16"-18UNC	12.7	4.60
19	54	6.9	1 9/16"-16UN	19	3 7/8"-12	38	26.9	82.6	3/8"-16UNC	9.4	8.20
19	54	6.9	1 9/16"-16UN	19	3 7/8"-12	38	26.9	82.6	3/8"-16UNC	9.4	10.50
19	54	6.9	1 9/16"-16UN	19	3 7/8"-12	38	26.9	82.6	3/8"-16UNC	9.4	14.60
22	63	9.7	1 13/16"-16UN	22	4 1/2"-12	42	33.3	92.2	3/8"-16UNC	14.0	11.55
22	63	9.7	1 13/16"-16UN	22	4 1/2"-12	42	33.3	92.2	3/8"-16UNC	14.0	14.75
25	63	9.7	1 13/16"-16UN	22	4 1/2"-12	42	33.3	92.2	3/8"-16UNC	14.0	22.45
31	91	12.7	2 3/4"-16UN	19	6 1/4"-12	48	53.8	130.3	1/2"-13UNC	14.0	29.70
31	91	12.7	2 3/4"-16UN	19	6 1/4"-12	48	53.8	130.3	1/2"-13UNC	14.0	37.00
38	126	12.7	4"-16UN	25	8 3/8"-12	60	79.0	177.8	5/8"-11UNC	19.0	66.60



Handle type	Model Number	Cylinder Capacity	Stroke	Cylinder Effective Area	Oil Cap.	Collapsed Height	Ext. Height	Out. Diam.	Cylinder Bore Diam.	Plngr. Diam.
(S)		ton(kN)	(mm)	(cm <sup>2</sup> )	(cm <sup>3</sup> )	A (mm)	B (mm)	D (mm)	E (mm)	F (mm)
	<b>DH-120</b>	13(125)	8	17.9	14	55	63	69	54.1	35.1
	<b>DH-121</b>		42	17.9	75	120	162	69	54.1	35.1
	<b>DH-1211</b>		42	17.9	75	120	162	69	54.1	35.1
	<b>DH-123</b>		76	17.9	136	184	260	69	54.1	35.1
W	<b>DH-202</b>	20(215)	49	30.7	150	162	211	98	73.1	54.1
W	<b>DH-204</b>		102	30.7	311	242	344	98	73.1	54.1
W	<b>DH-206</b>		155	30.7	476	306	461	98	73.1	54.1
W	<b>DH-302</b>	30(326)	64	46.6	298	178	242	114	88.9	63.5
W	<b>DH-304</b>		102	46.6	473	233	335	114	88.9	63.5
W	<b>DH-306</b>		155	46.6	722	330	485	114	88.9	63.5
R	<b>DH-603</b>	60(576)	76	82.3	626	247	323	159	123.9	91.9
R	<b>DH-606</b>		153	82.3	1259	323	476	159	123.9	91.9
R	<b>DH-1003</b>	95(931)	76	133.0	1011	254	330	212	165.1	127.0