

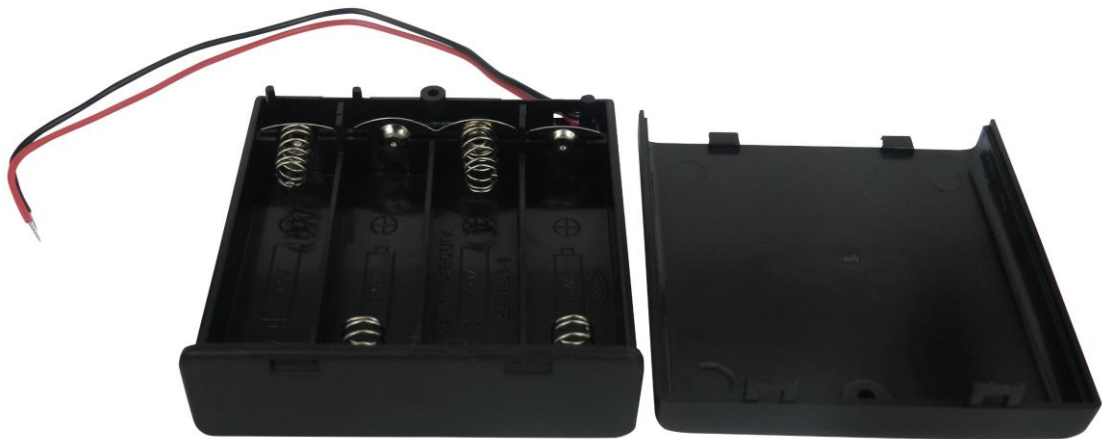


ENGLISH

Datasheet

RS Article:1854748

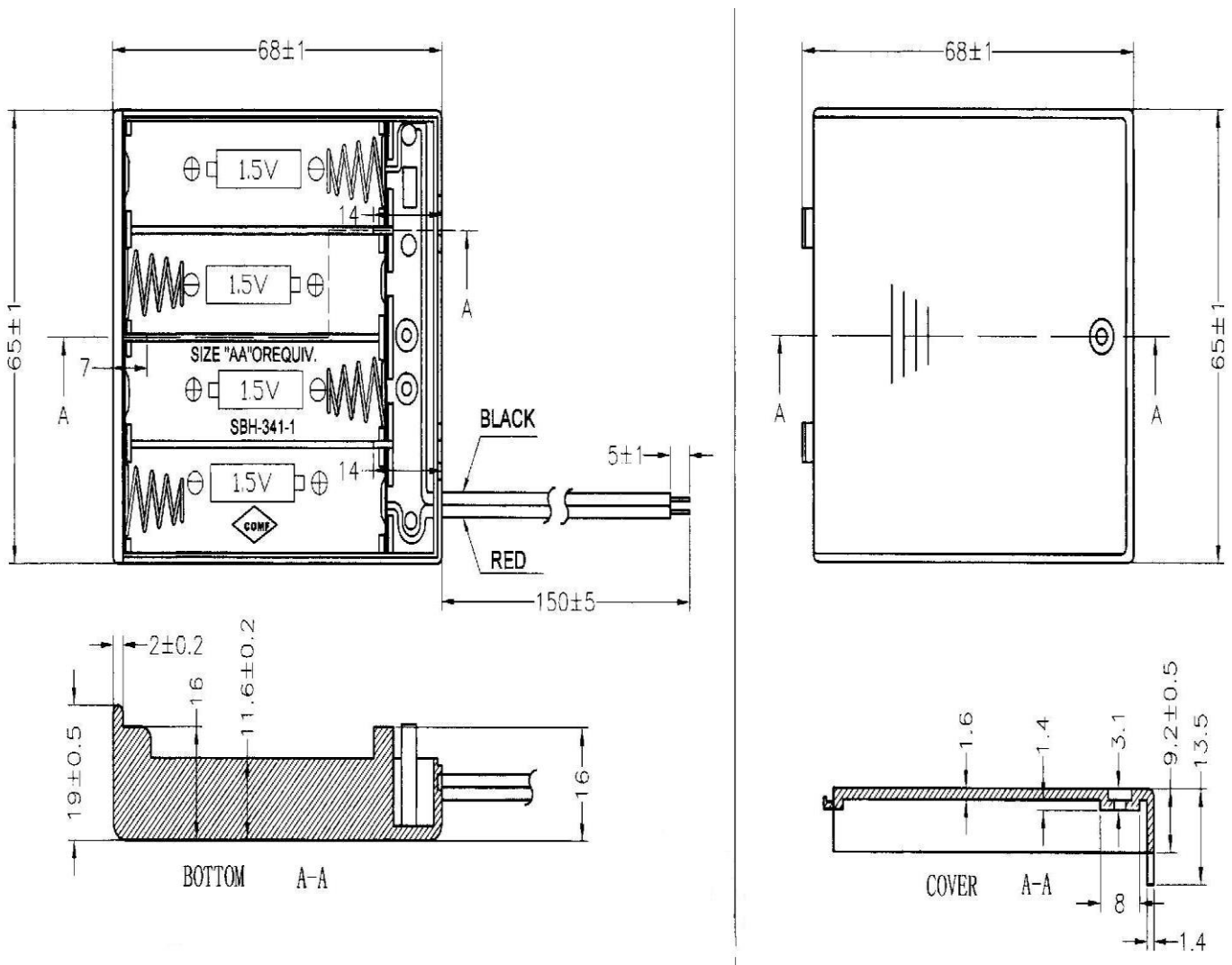
RS Pro Safety Battery Holder



1. Preface:

The purpose of this product specification is to dimension and drawing

AA x 4 with Lead wire 150mm



SPECIFICATION

- (1) ITEM NO: 1854748
- (2) WIRE :UL1007 AWG26#
BLACK & RED $150\text{MM} \pm 5\text{MM}$
STRIP & TIN $5\text{MM} \pm 1\text{MM}$
- (3) MATERIAL: ABS RESIN BLACK COLOR
- (4) SPRING: 0.5MM 65C SPRING WIRE

Measure: mm