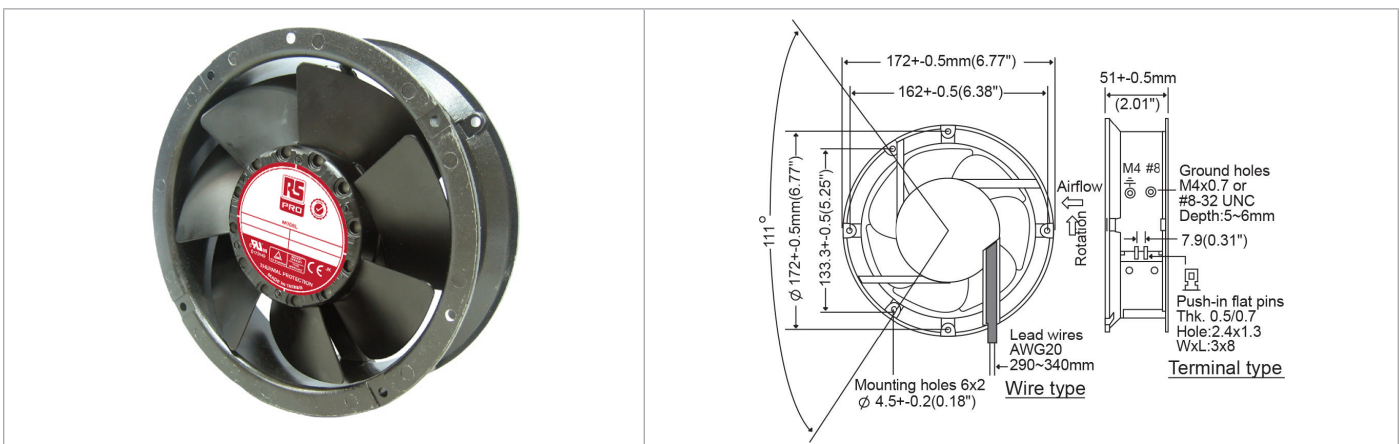




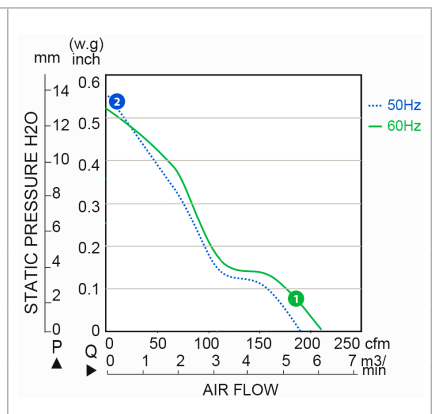
Datasheet

RS PRO AC AXIAL FAN 172×51mm, ALL METAL IP55

EN



Frame	Diecast Aluminum	<u>Environmental Protection</u> IP55
Impeller	Metal alloy	<u>Operating Temperature</u> -30C ~ +80C (non-condensing)
Connection	Lead Wires or Terminals	Storage Temp -40C ~ +100C
Motor	AC Shaded pole, Thermal protection	<u>Life Expectancy</u> 50,000 hours (55C)
Bearing System	Dual ball bearing	Weight: ~ 1350 g (2.98 lbs)
Insulation Resistance	>100MΩ at 500VDC	
Dielectric Strength	> 60 seconds at 1500VAC	



Model Number	175-9798	175-9799
Connections	Wire Leads	Terminals
Speed (RPM)	2750 / 3200	2750 / 3200
Airflow (CFM)	190 / 215	190 / 215
Noise Level (dB)	59	59
Volts AC	230	230
Voltage Range	200-240	200-240
Watts	47 / 42	47 / 42
Max. Static Pressure	0.57" / 0.51" H ₂ O	0.57" / 0.51" H ₂ O