

Datasheet

RS PRO Die Set for RS PRO Ratcheting Hand Crimping Tool Frame 492-9595 for Crimping Blue and Red Insulated Heat Shrink Terminals

Stock No: **458-424**



Features & Benefits:

- Crimp die halves are kept together with a special pin to simplify handling.
- Dies can be stored together in interlocking carrier system
- Reliable – crimping performance is consistent and accurate with a parallel action stroke.
- Easy to use – designed to give the user full visibility of the crimping process.

TECHNICAL DATA

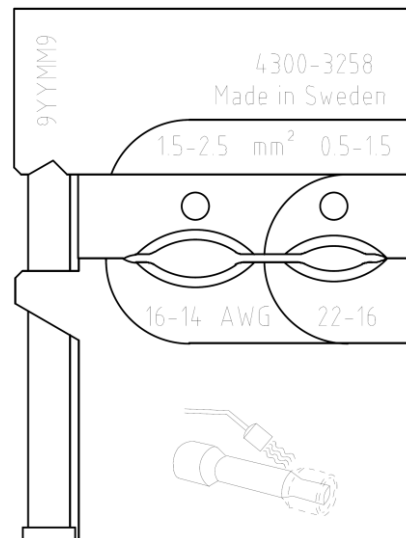
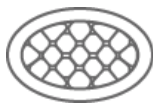
Die set 458-424 for crimping Red and Blue insulated heatshrink terminals

Crimp Nests

1.5-2.5 mm²/16-14 AWG

0.5-1.5 mm²/22-16 AWG

Crimp profile



Die Set (excluding carrier)

Length: 29 mm/1.14"

Width: 10 mm/0.39"

Height: 39 mm/1.54"

Weight: 65 gr/0.14 lb

Description: Mobile die set for 492-9595 crimp tool frame

Life span, cycles: 20,000