

# PIEZO INDICATOR (Waterproof Type)

Internal Circuitry Type

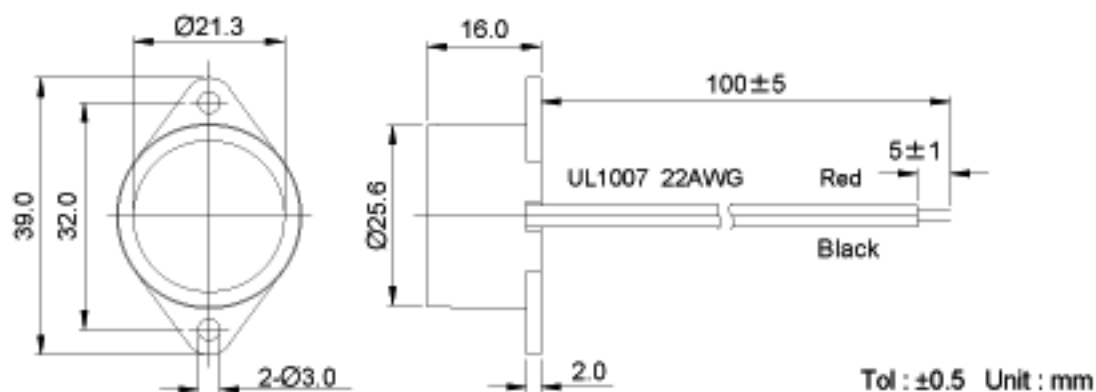
## Shape

### KPE-267



Model Number	KPE-267
Rated Frequency (Hz)	2,800 ± 500
Operating Voltage Range (VDC)	6 ~ 14
Current Consumption (mA)	Max. 35@12VDC
Sound Pressure Level (dB)	Min. 85dB@30cm@12VDC
Rated Voltage(VDC)	12
Tone	Continuous
Operating Temperature (°C)	-30 ~ +85
Storage Temperature (°C)	-40 ~ +95
Weight (Gram)	41.0
Material	ABS UL-94 1/16" HB High Heat

## Dimension



## Characteristic

