

Datasheet

## RS Pro T Piece Cable Conduit Fitting, Steel Galvanised 25mm nominal size

RS Stock No: **228-788**



### Product Details

RS Pro T piece cable conduit fitting is made of steel with galvanised finish. It comes with a nominal size of 25 mm. This conduit fitting has two M4 tapped (50.8 mm centre) holes for lid fixing and one M4 tapped hole in base for earth screw.

### Features and Benefits

- Nominal size of 25 mm
- Steel construction
- T-piece type fitting
- BS4568 part 2 product finish classification
- Class 2 - black enamelled inside and outside
- Class 3 - pre-galvanised sheet steel
- Class 4 - hot dipped galvanised inside and outside
- Comes in galvanised finish



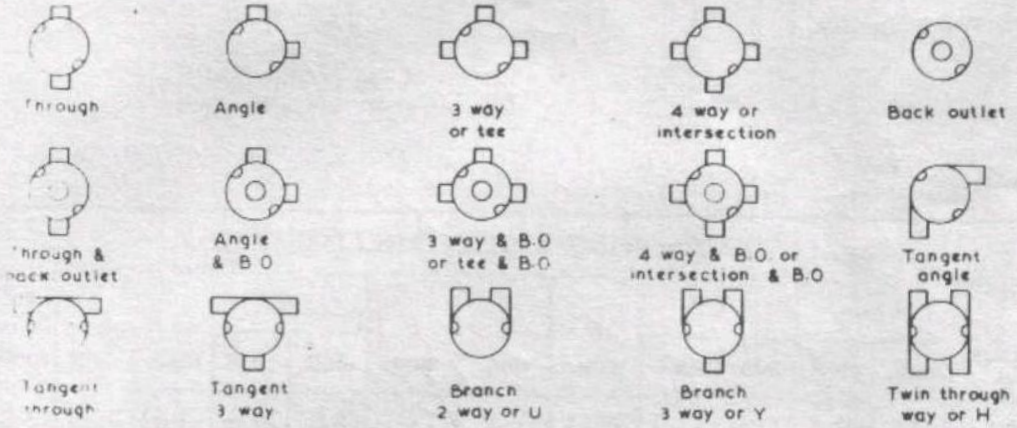
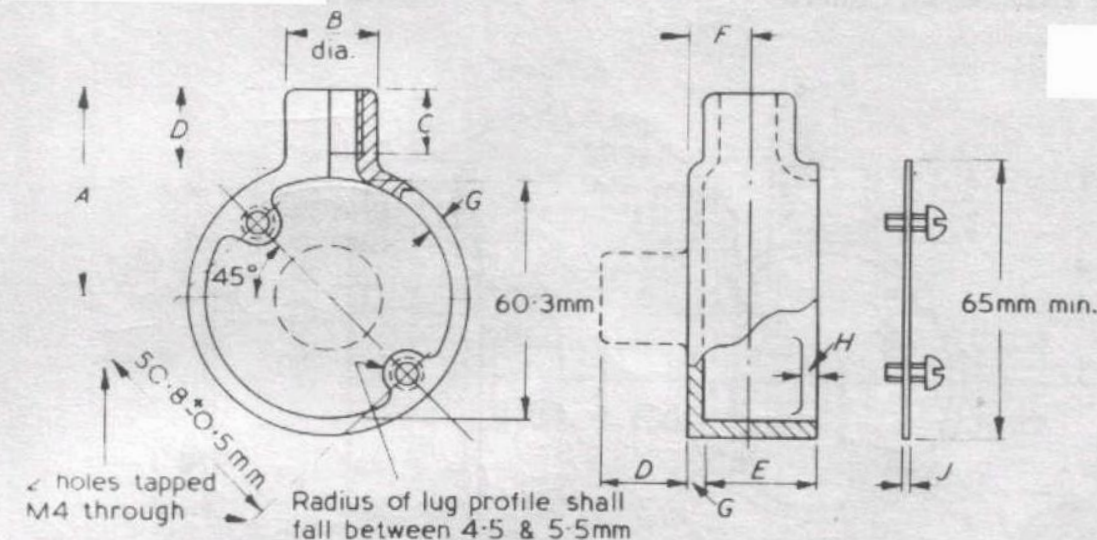
ENGLISH

### Specifications:

Finish	Galvanised
Fitting Type	T Piece
Material	Steel
Nominal Size	25 mm
Standards Met	BS EN 50086

Material: mall. cast iron and/or steel	Boxes, circular, small, internally screwed and flat covers	
--	--	--

This drawing does not purport to show constructional details.



ALL DIMENSIONS ARE IN MILLIMETRES

Nom. size	A approx.	B min.		C		D min.	E min.	F nom.	G min.		H min.		J min.	
		mall.	steel	min.	max.				mall.	steel	mall.	steel	mall.	steel
16	50.0	19.2	17.5	13.5	15.5	17.5	25.0	11.0	2.00	1.47	2.8	1.47	2.40	1.15
20	51.5	23.2	21.5	15.0	17.0	19.0	25.0	13.0	2.00	1.47	2.8	1.47	2.40	1.15
25	54.5	28.4	26.7	18.0	20.0	22.0	28.0	15.8	2.00	1.47	2.8	1.47	2.40	1.15

NOTE. Dimension G applies to unmachined parts only.