

microSD Class 10 + Adapter

multicomp^{PRO}

RoHS
Compliant



TS16GUSD420T-MCP



TS32GUSD420T-MCP

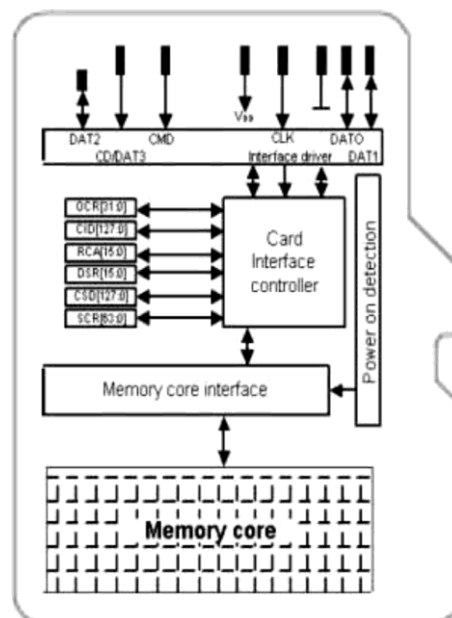
Description

Today's advanced smartphones and tablets are fast and powerful, with memory-hungry Apps and Full-HD recording capabilities that perform best with high-speed storage media. Transcend's Premium series microSDXC/SDHC Class 10 cards offer extra storage capacity with superior read/write speeds that keep pace with your mobile lifestyle.

Features

- Fully compliant with the SD 3.0 standard
- Class 10 speed rating guarantees fast and reliable write performance
- Built-in Error Correcting Code (ECC) to detect and correct transfer errors
- Exclusive RecoveRx photo recovery software

Architecture



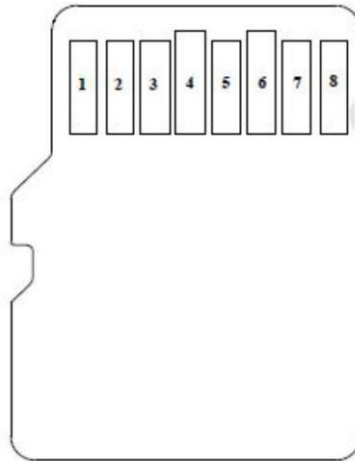
Newark.com/multicomp-pro
Farnell.com/multicomp-pro
sg.element14.com/b/multicomp-pro

multicomp^{PRO}

microSD Class 10 + Adapter

Pin Definition

Pin No.	SD Mode		SPI Mode	
	Name	Description	Name	Description
1	DAT2	Data Line [Bit2]	RSV	Reserved
2	CD/DAT3	Card Detect / Data Line [Bit3]	CS	Chip Select
3	CMD	Command / Response	DI	Data In
4	VDD	Supply voltage	VDD	Supply voltage
5	CLK	Clock	SCLK	Clock
6	VSS	Supply voltage ground	VSS	Supply voltage ground
7	DAT0	Data Line [Bit0]	DO	Data out
8	DAT1	Data Line [Bit1]	RSV	Reserved



Physical Specification		
Form Factor		microSD
Dimensions (mm)	Length	11.00 ± 0.1
	Width	15.00 ± 0.1
	Height	0.7 ± 0.1

Environmental Specifications

Operating Temperature	: -25°C to 85°C
Storage Temperature	: - 40°C to 85°C
Durability	: 10,000 mating cycles
Drop test	: 1.5m free fall
Regulator	: CE/FCC/BSMI

Part Number Table

Description	Part Number
microSD card + Adapter, Class 10, 16GB , 30MB/s, Preloaded Noobs for Raspberry Pi	TS16GUSD420T-MCP
microSD card + Adapter, Class 10, 32GB , 30MB/s, Preloaded Noobs for Raspberry Pi	TS32GUSD420T-MCP

Important Notice : This data sheet and its contents (the "Information") belong to the members of the AVNET group of companies (the "Group") or are licensed to it. No licence is granted for the use of it other than for information purposes in connection with the products to which it relates. No licence of any intellectual property rights is granted. The Information is subject to change without notice and replaces all data sheets previously supplied. The Information supplied is believed to be accurate but the Group assumes no responsibility for its accuracy or completeness, any error in or omission from it or for any use made of it. Users of this data sheet should check for themselves the Information and the suitability of the products for their purpose and not make any assumptions based on information included or omitted. Liability for loss or damage resulting from any reliance on the Information or use of it (including liability resulting from negligence or where the Group was aware of the possibility of such loss or damage arising) is excluded. This will not operate to limit or restrict the Group's liability for death or personal injury resulting from its negligence. Multicomp Pro is the registered trademark of Premier Farnell Limited 2019.