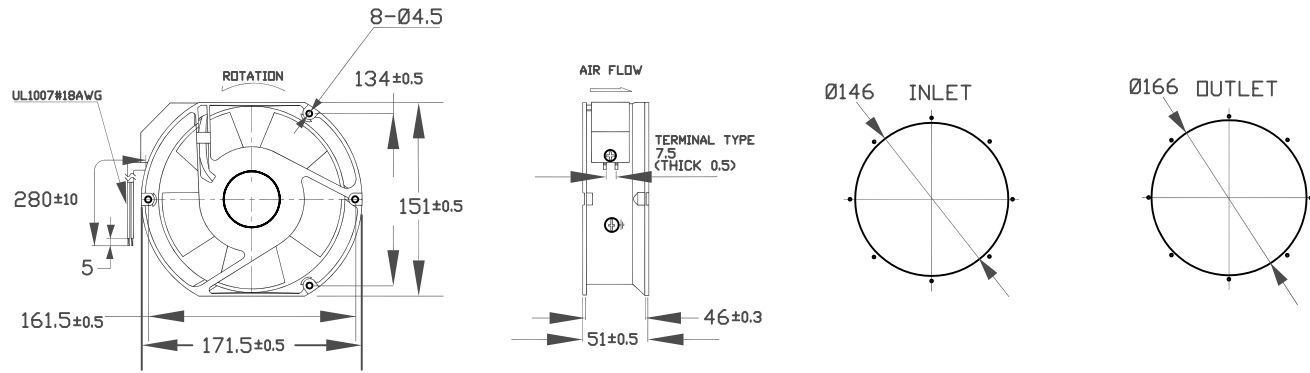




ALL RIGHTS RESERVED. NO PORTION OF THIS PUBLICATION, WHETHER IN WHOLE OR IN PART CAN BE REPRODUCED WITHOUT THE EXPRESS WRITTEN CONSENT OF SPC TECHNOLOGY.
SPC-F005.DWG

REVISIONS			DOC. NO. SPC-F005 * Effective: 7/8/02 * DCP No: 1398					
DCP #	REV	DESCRIPTION	DRAWN	DATE	CHECKD	DATE	APPRVD	DATE
XX	XX	XXXX	XXXX	22-07-08	XXXX	22-07-08	XXXX	22-07-08
XXXX	XXXX		XXXX	22-07-08	XXXX	22-07-08	XXXX	22-07-08



UNITS:mm



DISCLAIMER:
ALL STATEMENTS AND TECHNICAL INFORMATION CONTAINED HEREIN ARE BASED UPON INFORMATION AND/OR TESTS WE BELIEVE TO BE ACCURATE AND RELIABLE. SINCE CONDITIONS OF USE ARE BEYOND OUR CONTROL, THE USER SHALL DETERMINE THE SUITABILITY OF THE PRODUCT FOR THE INTENDED USE AND ASSUME ALL RISK AND LIABILITY WHATSOEVER IN CONNECTION THEREWITH.

TOLERANCES:
UNLESS OTHERWISE SPECIFIED, DIMENSIONS ARE FOR REFERENCE PURPOSES ONLY.

DRAWN BY:	DATE:
XXXX	22-07-08
CHECKED BY:	DATE:
XXXX	22-07-08
APPROVED BY:	DATE:
XXXX	22-07-08

DRAWING TITLE: Axial Fans			
SIZE A	DWG. NO. MC21670	ELECTRONIC FILE 14M9026.dwg	REV XX
SCALE: NTS	U.O.M.: INCHES [mm]	SHEET: 1 OF 1	



ALL RIGHTS RESERVED. NO PORTION OF THIS PUBLICATION, WHETHER IN WHOLE OR IN PART CAN BE REPRODUCED WITHOUT THE EXPRESS WRITTEN CONSENT OF SPC TECHNOLOGY.

SPC-F005.DWG

REVISIONS

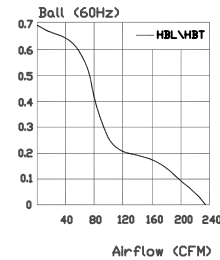
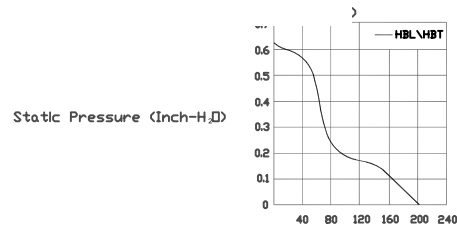
DOC. NO. SPC-F005 * Effective: 7/8/02 * DCP No: 1398

DCP #	REV	DESCRIPTION	DRAWN	DATE	CHECKD	DATE	APPRVD	DATE
XX	XX	XXXX	XXXX	22-7-08	XXXX	22-7-08	XXXX	22-7-08
XXXX	XXXX		XXXX	22-7-08	XXXX	22-7-08	XXXX	22-7-08

Alveolate Motor
203-239 CFM

Model	P/N	Bearing ● VAPD ○ BALL ⊙ Sleeve	Rating Voltage (VAC)	Freq. (Hz)	Power Current (AMP)	Power Consumption (WATTS)	Speed (RPM)	Air Flow (CFM)	Static Pressure (Inch-H ₂ O)	Noise (dBA)	Weight (g)
14M9026		○	115	50/60	0.22/0.23	25/27	2800/3200	203/239	0.62/0.69	51/58	908

Frame : A



DISCLAIMER:
ALL STATEMENTS AND TECHNICAL INFORMATION CONTAINED HEREIN ARE BASED UPON INFORMATION AND/OR TESTS WE BELIEVE TO BE ACCURATE AND RELIABLE. SINCE CONDITIONS OF USE ARE BEYOND OUR CONTROL, THE USER SHALL DETERMINE THE SUITABILITY OF THE PRODUCT FOR THE INTENDED USE AND ASSUME ALL RISK AND LIABILITY WHATSOEVER IN CONNECTION THEREWITH.

TOLERANCES:
UNLESS OTHERWISE SPECIFIED, DIMENSIONS ARE FOR REFERENCE PURPOSES ONLY.

DRAWN BY:	DATE:
XXXX	22-7-08
CHECKED BY:	DATE:
XXXX	22-7-08
APPROVED BY:	DATE:
XXXX	22-7-08

DRAWING TITLE: Axial Fan			
SIZE A	DWG. NO. MC21670	ELECTRONIC FILE	REV XX
SCALE: NTS	U.O.M.: INCHES [mm]	SHEET: 1 OF 1	