

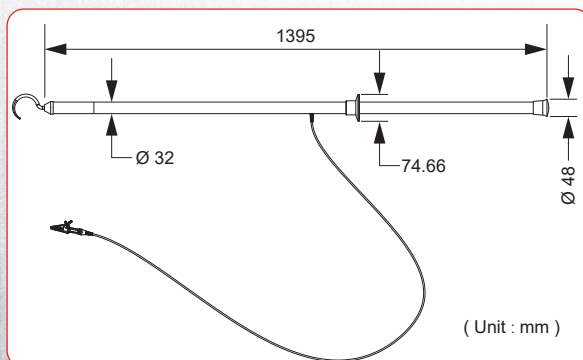
HIGH VOLTAGE DISCHARGE ROD

- For discharging and earthing for cables
- For discharging and earthing of test units
- For safety purpose

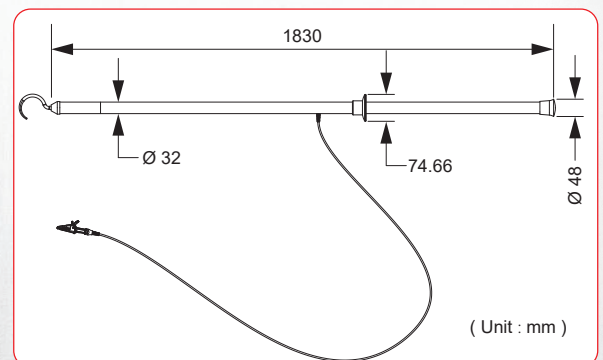
DSR-50K

DSR-100K

kV	50kV	100kV
Weight	1.4 kg approx.	2.0 kg approx.
Resistance	100k Ω	200k Ω



DSR-50K



DSR-100K