



Main

Range of product	Harmony 9001K Harmony 9001SK
Product or component type	Light block
Device short name	9001K
Bulb base	BA 9s
Light block supply	Direct via integral transformer 6 V

Complementary

Net weight	0.144 kg
Light source	Incandescent bulb
[Us] rated supply voltage	120 V AC
[Us] rated supply voltage	110...120 V
Light block supply	Via integral transformer
Supply frequency	50...60 Hz
Size	30 mm

Environment

Protective treatment	TC
Ambient air temperature for storage	-40...70 °C
Ambient air temperature for operation	-25...70 °C
IP degree of protection	IP20 conforming to IEC 60529
Standards	IEC 60947-5-4 IEC 60947-5-1 JIS C 4520 CSA C22.2 No 14 IEC 60947-1 UL 508 JIS C 852
Product certifications	UL 508[RETURN]NEMA
Electrical shock protection class	Class II conforming to IEC 61140
Vibration resistance	7 gn (f= 2...500 Hz) conforming to IEC 60068-2-6
Shock resistance	50 gn conforming to IEC 60068-2-27

Packing Units

Unit Type of Package 1	PCE
Number of Units in Package 1	1
Package 1 Height	4.572 cm
Package 1 Width	5.588 cm
Package 1 Length	9.398 cm
Package 1 Weight	149.686 g
Unit Type of Package 2	CAR
Number of Units in Package 2	24

Package 2 Height	15.0 cm
Package 2 Width	40.0 cm
Package 2 Length	24.0 cm
Package 2 Weight	3.825 kg

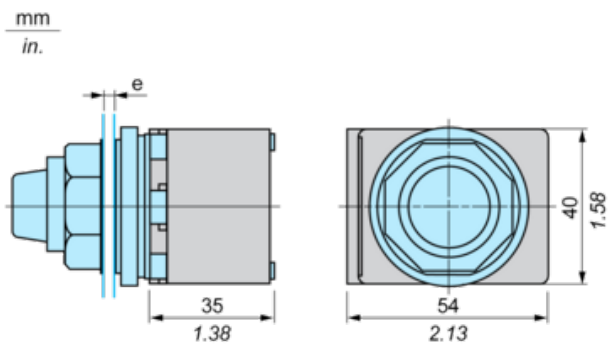
Offer Sustainability

Sustainable offer status	Green Premium product
REACH Regulation	REACH Declaration
EU RoHS Directive	Pro-active compliance (Product out of EU RoHS legal scope)
Mercury free	Yes
China RoHS Regulation	China RoHS Declaration
RoHS exemption information	Yes
Environmental Disclosure	Product Environmental Profile
Circularity Profile	No need of specific recycling operations
WEEE	The product must be disposed on European Union markets following specific waste collection and never end up in rubbish bins

Contractual warranty

Warranty	18 months
----------	-----------

Dimensions



e panel thickness: 1 to 6 mm / 0.04 to 0.24 in.