

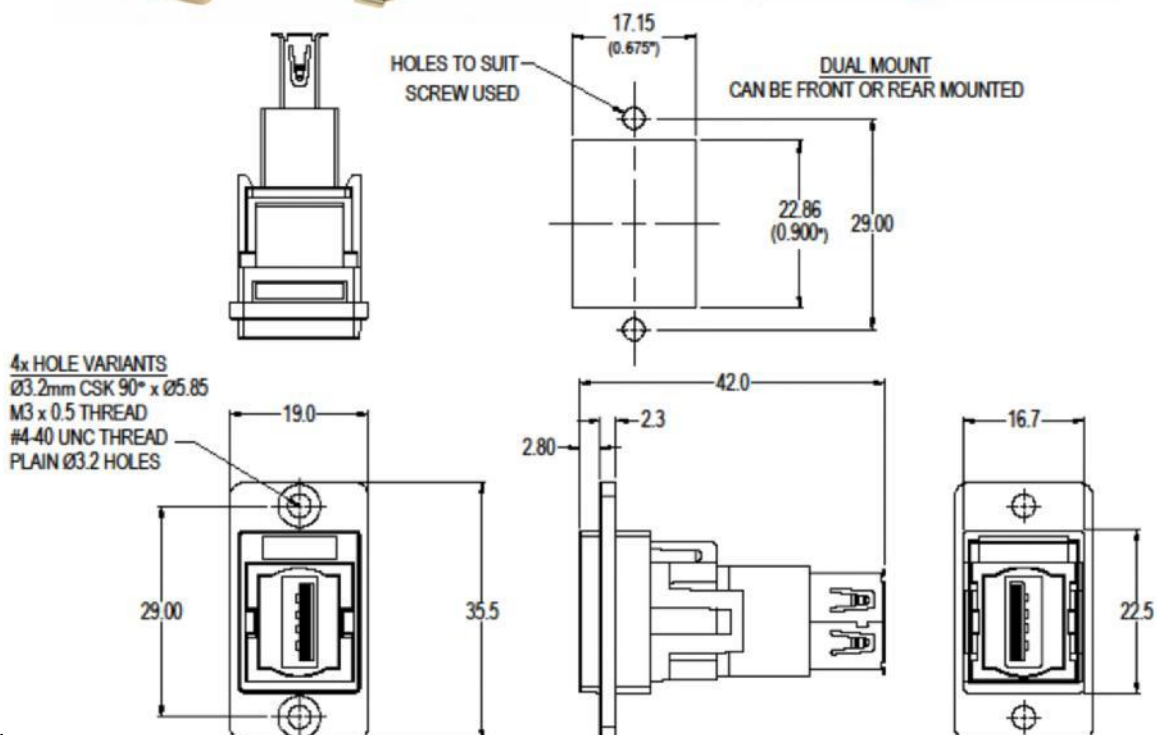


ENGLISH

Datasheet

RS PRO SLIM DUAL MOUNTING NETAL FRAME USB2.0 A-A FT CONNECTOR

Stock No: 2354754, 2354755



Notes::

- 1.Voltage rating: 30V ac
- 2.Current rating: 1.5 A max
- 3.Contact resistance: 50mΩ max
- 4.Insulation resistance: 20MΩ min
- 5.Dielectric withstanding voltage: 500V AC
- 6.Operating Temperature: -20°C to 50°C

Material:

- 1.Insert: ABS UL94 HB
- 2.Frame: Diecast, Nickel or black plated
- 3.Inner Overmoldings: PE + PVC
- 4.Shell: Nickel plated steel Contacts: Gold Plated

rspro.com

Features & Benefits:

- Fits standard rectangular cutout.
- Front or rear mounting through the panel.
- Various hole mounting options
- No soldering or punch termination. Use standard cable for each connector style.
- Low rear profile.

General:

Please note: Functionality is affected by cable quality, length and cable wiring configuration.

Other models available:

Part No.

2354754 - DUALSLIM FT USB2.0 A-A Nickel frame, CSK holes

2354755 - DUALSLIM FT USB2.0 A-A Black metal frame, CSK holes

Applications

- Space and aviation
- Education
- Industrial
- Broadcast and A/V
- Transportation
- Medical
- Vending and gaming



rspro.com

