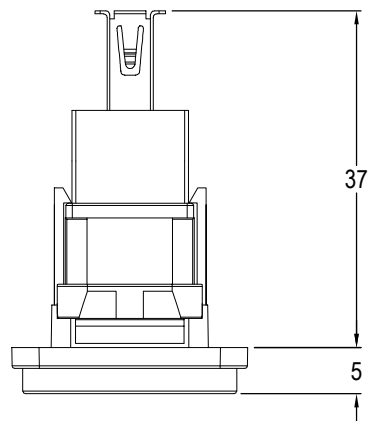
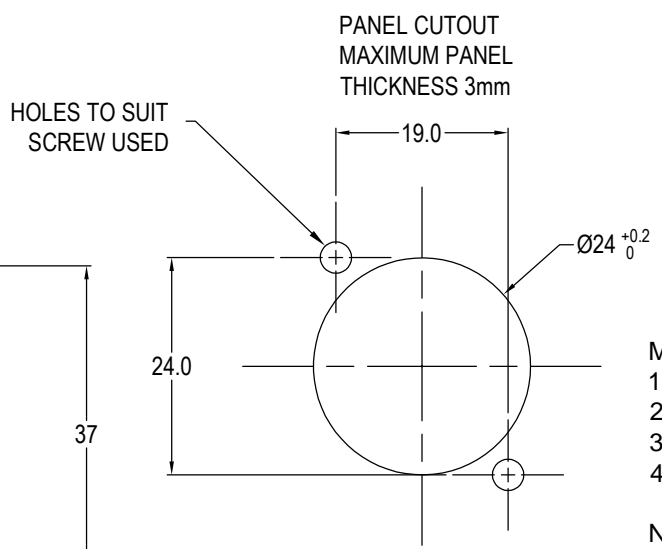


ISS.	AMEND	DATE
1	ISSUED	04/09/15
2	PICTURE UPDATED	10/11/16
3	ADD M3 VARIANT	29/05/18

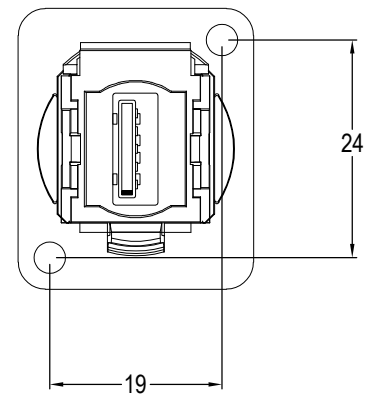
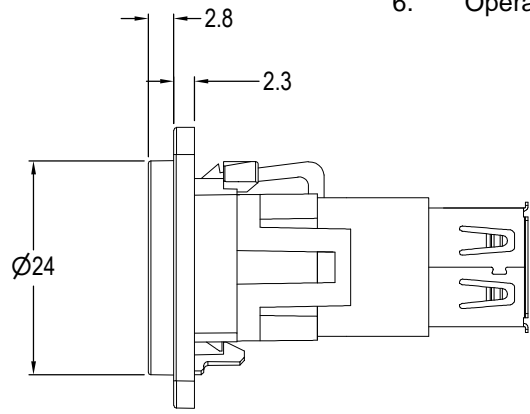
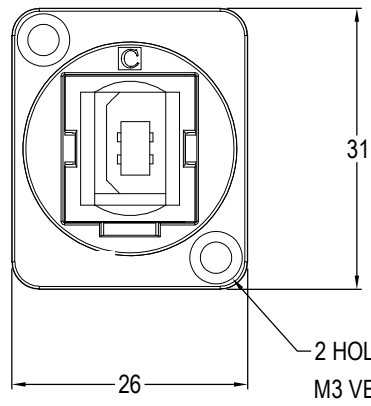


**Material:**

1. Insert: ABS
2. Frame: Nickel plated zinc diecast
3. Shell: Nickel plated steel
4. Contacts: Gold Plated

**Notes:**

1. Voltage rating: 30V AC
2. Current rating: 1.5 A max
3. Contact resistance: 50mΩ max
4. Insulation resistance: 20MΩ min
5. Dielectric withstanding voltage: 500V AC
6. Operating Temperature: -20°C to 50°C



**RoHS**  
COMPLIANT

**TOLERANCE**  
NO DEC. PLACE ±  
1 DEC. PLACE ±  
2 DEC. PLACE ±  
HOLE Ø ±  
ANGLES ±  
UNLESS  
OTHERWISE STATED

DIMENSIONS IN MILLIMETERS UNLESS OTHERWISE STATED. WORK TO DIMENSIONS. REMOVE ALL BURRS. IF IN DOUBT ASK.

3rd ANGLE PROJECTION:

DO NOT SCALE

MATERIAL: See Notes

TITLE: FT METAL USB 2.0 B to USB 2.0 B

FINISH: See Notes

DRAWN: D.P.J.

APPROVED: D.P.J.