



Datasheet

RS PRO 30cm IDC 10 to D9 Way Male Cable - 10 Pack

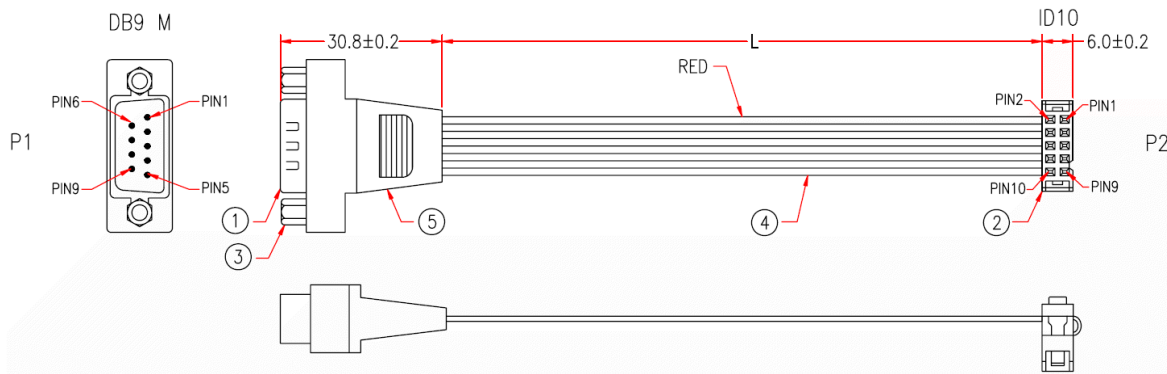
Stock number: 2513279

EN

Our RS PRO 30cm 10 way IDC to D9 male has a grey, flat PVC cable flex and the connector hoods are made from black.

The IDC connector has a pitch of 2.54mm and is made of black PVC.

The cable can be used to give a PC which doesn't have a serial port a way of connecting a DCE (data circuit-terminating equipment) such as a modem.



P1		P2
1	—————	1
6	—————	2
2	—————	3
7	—————	4
3	—————	5
8	—————	6
4	—————	7
9	—————	8
5	—————	9

5	DB9 PIN PLASTIC HOOD BLACK
4	UL2651 9C 28AWG, FLAT CABLE, PITCH 1.27mm, GREY
3	HEX-NUT 4.75*12.3mm AND CAP
2	IDC SOCKET 10 PIN CONNECTOR WITH SR, PITCH 2.54mm, BLACK
1	DB9 MALE, GOLD FLASH ON CONTACTS, BLUE INSULATOR

RoHS / REACH / CE /UKCA